

Programming unit For temperature transmitters and resistance thermometers Model PU-448

WIKA data sheet AC 80.16

Applications

- For easy configuration of digital temperature transmitters and compact thermometers with integrated transmitter
- For use with the WIKAsoft-TT configuration software

Special features

- Easy to use
- LED status/diagnostic displays
- Compact design
- No further power supply is needed for either the programming unit or for the transmitter
- No driver installation needed (Windows® standard drivers are used)



Programming unit model PU-448 with magWIK

Description

With this programming unit model PU-448 digital temperature transmitters and compact thermometers with integrated transmitter working with the WIKA-internal protocol can be configured very easily and time-efficiently.

The programming unit provides a detailed status/diagnostic display and checks, for each contact, the connection between PC and programming unit as well as the connection between the programming unit and the transmitter.

Coloured LEDs indicate to the operator the current status of the connection. This ensures that faulty connections are reported immediately. Through the colour display, errors are very easily pinpointed.

The programming unit needs no additional voltage supply. The required voltage is taken entirely from the USB interface.

Together with the WIKAsoft-TT configuration software, a very useful tool has therefore been created, with which one can configure temperature transmitters or compact thermometers very easily and extremely quickly.

The electrical connection of the terminals for the configuration of the head-mounted temperature transmitter version is achieved using the magWIK quick connector (patent applied for, Patent No. 102009044676.1).

For the connection to the compact thermometers with coupler connectors, suitable adapter cables are available.

Windows® is a registered trademark of Microsoft Corporation in the United States and other countries.

Specifications	Programming unit model PU-448
USB interface	USB connector type A to 9-pin Sub-D connector
Voltage supply	The PU-448 and therefore also the connected transmitters/thermometers are powered through the USB port. Thus no additional voltage supply is needed.
Power supply	100 mA at +5 V, via USB port
Connection to computer	USB connector
Connection to transmitter	<ul style="list-style-type: none"> ■ 2 x Ø 2 mm banana plugs (with magWIK quick connector) ■ Adapter cable for M12 connector ■ Adapter cable for angular DIN connector, form A
Output voltage	Max. 18 V
Operating temperature	0 ... 50 °C
Storage temperature	-40 ... +85 °C
Relative humidity	0 ... 95 % r. h.
Dimensions	<ul style="list-style-type: none"> ■ Case 75 x 33.3 x 15 mm, ABS industrial case ■ Test clip cable 2 m (2-wire)
Electromagnetic compatibility (EMC)	EN 61326 emission (group 1, class B) and interference immunity (industrial application)

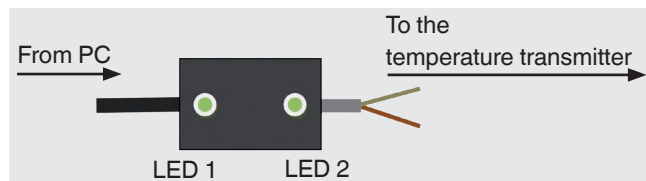
For instruments with a serial number < S#10000 the function is not ensured with all current transmitter models.



LED diagnostics

The model PU-448 programming unit is fitted with 2 LEDs for clear status indication. Through changes in colour, detailed status diagnostics are possible.

For further information on the LED diagnostics, see the operating instructions.



Connecting the PU-448 programming unit

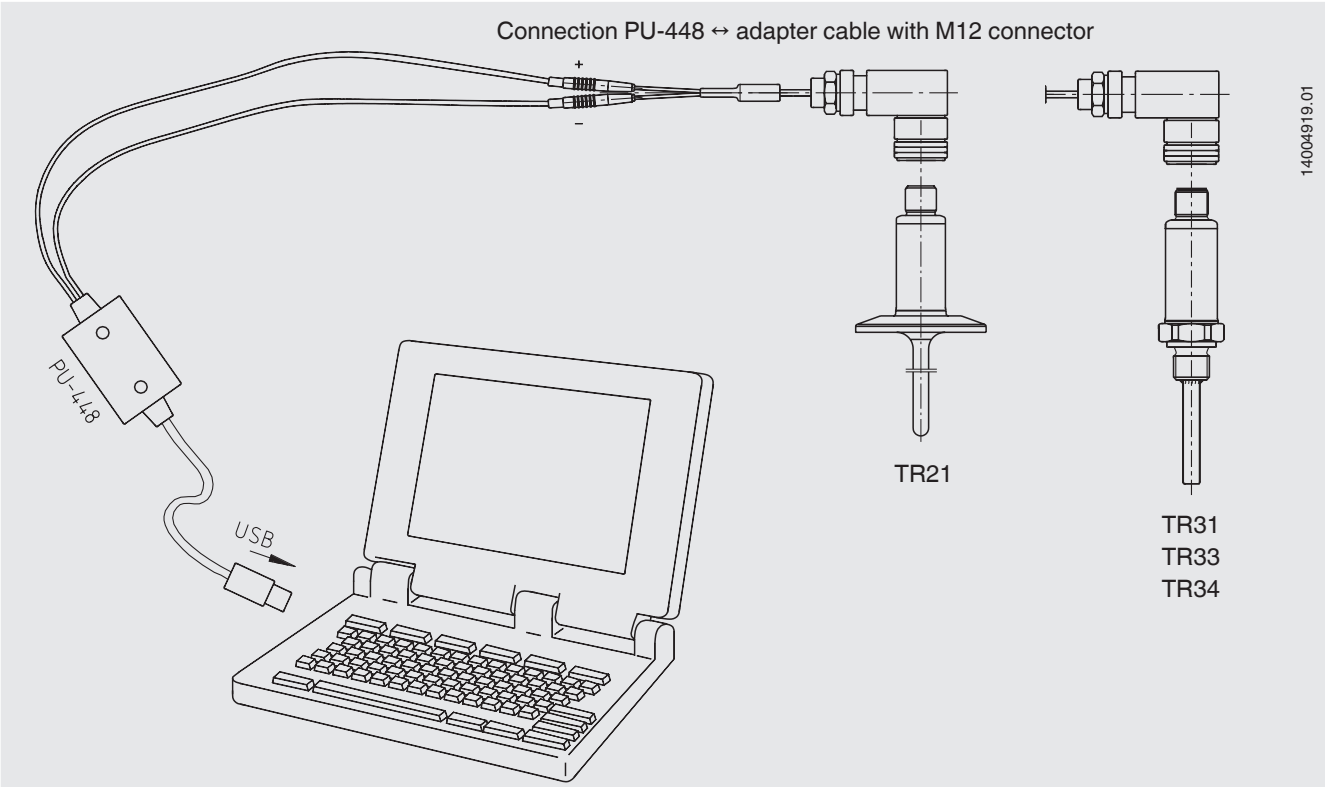
Quick connector magWIK
(with temperature transmitter)

Connection PU-448 ↔ temperature transmitter
(option: magWIK quick connector)



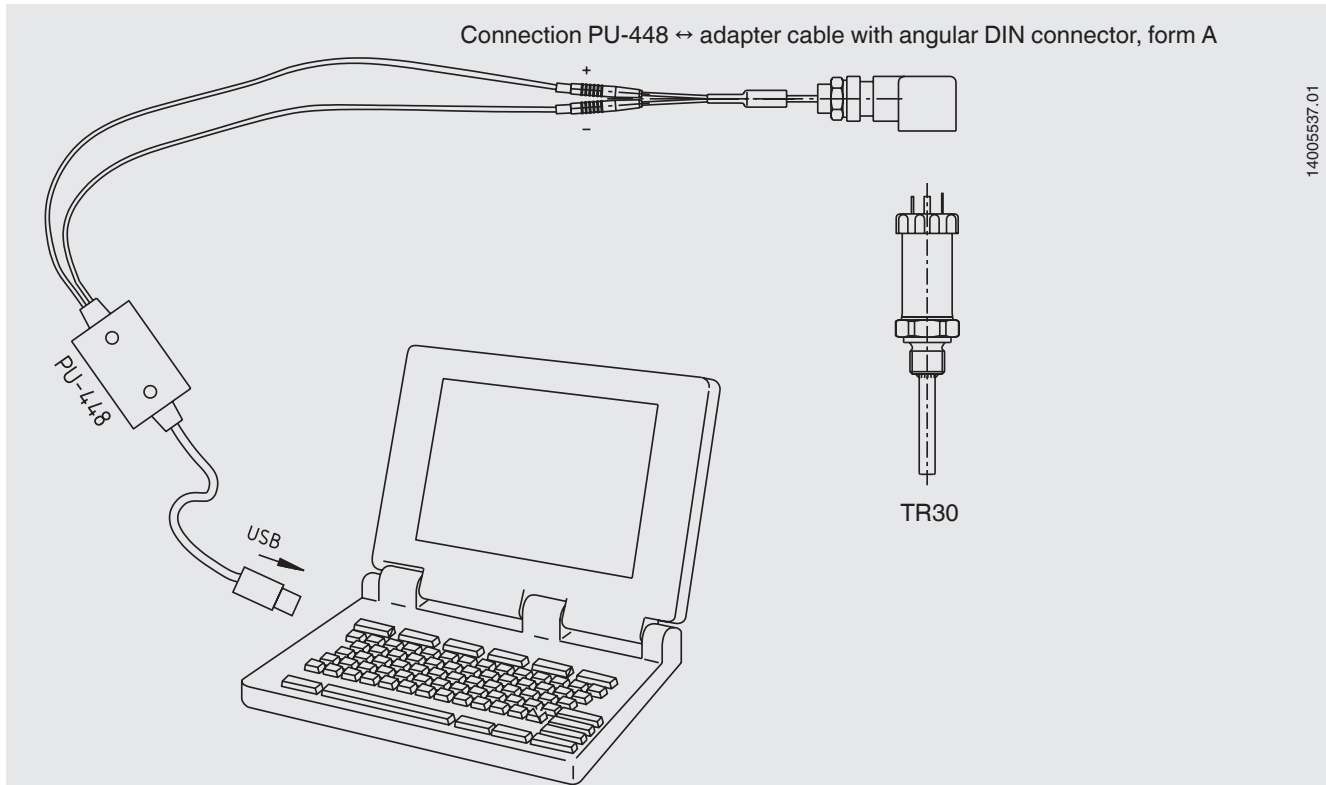
Adapter cable for M12 connector
(with compact thermometer)

Connection PU-448 ↔ adapter cable with M12 connector



14004919.01

Adapter cable for angular DIN connector, form A (with model TR30 resistance thermometer)



Order numbers

Products	Order number
Programming unit model PU-448 (incl. magWIK)	11606304
Quick connector magWIK	14026893
Adapter cable for M12 connector	14003193
Adapter cable for angular DIN connector, form A	14005324
Software WIKAsoft-TT	Free download from www.wika.com/Download Configuration of all other temperature transmitters (excluding HART®, Profibus® PA)

Ordering information

To order the described product the order number is sufficient.

© 2011 WIKA Alexander Wiegand SE & Co. KG, all rights reserved.
The specifications given in this document represent the state of engineering at the time of publishing.
We reserve the right to make modifications to the specifications and materials.

