



Examples/Beispiele

<b>EN</b>	<b>Operating instructions Hydraulic compression force transducers</b>	<b>Page</b>	<b>3 - 38</b>
<b>DE</b>	<b>Betriebsanleitung Hydraulische Druckkraftaufnehmer</b>	<b>Seite</b>	<b>39 - 75</b>

© 04/2019 WIKA Alexander Wiegand SE & Co. KG  
 All rights reserved. / Alle Rechte vorbehalten.  
 WIKA® and tecsis® are registered trademarks in various countries.  
 WIKA® and tecsis® sind geschützte Marken in verschiedenen Ländern.

Prior to starting any work, read the operating instructions!  
 Keep for later use!

Vor Beginn aller Arbeiten Betriebsanleitung lesen!  
 Zum späteren Gebrauch aufbewahren!

# Contents

<b>1. General information</b>	<b>4</b>
<b>2. Design and function</b>	<b>5</b>
2.1 Overview . . . . .	5
2.2 Description . . . . .	6
2.3 Scope of delivery . . . . .	6
<b>3. Safety</b>	<b>6</b>
3.1 Explanation of symbols . . . . .	6
3.2 Intended use . . . . .	7
3.3 Improper use . . . . .	8
3.4 Responsibility of the operator . . . . .	8
3.5 Personnel qualification . . . . .	9
3.6 Personal protective equipment . . . . .	9
3.7 Labelling, safety marks . . . . .	10
<b>4. Transport, packaging and storage</b>	<b>11</b>
4.1 Transport . . . . .	11
4.2 Packaging and storage . . . . .	11
<b>5. Commissioning, operation</b>	<b>12</b>
5.1 Precautions before commissioning . . . . .	12
5.2 To be observed during installation . . . . .	12
5.3 Mounting of the hydraulic force measuring unit with pressure gauge. . . . .	13
5.4 Commissioning of the hydraulic force measuring unit with digital pressure gauge . . . . .	14
5.5 Mounting of the hydraulic force measuring unit with digital pressure gauge	16
5.6 Electrical connection - hydraulic force measuring unit with built-in pressure sensor. . . . .	17
5.7 Mounting of the hydraulic force measuring unit with pressure sensor . . . . .	18
<b>6. Faults</b>	<b>19</b>
6.1 Faults of the hydraulic force measuring unit with pressure gauge / digital pressure gauge . . . . .	19
6.2 Faults of the hydraulic force measuring unit with pressure sensor. . . . .	20
<b>7. Maintenance and cleaning</b>	<b>21</b>
7.1 Maintenance . . . . .	21
7.2 Recalibration . . . . .	21
<b>8. Dismounting, return and disposal</b>	<b>22</b>
8.1 Dismounting . . . . .	22
8.2 Return. . . . .	22
8.3 Disposal . . . . .	22
<b>9. Specifications</b>	<b>23</b>
<b>10. Accessories</b>	<b>35</b>
10.1 Cable . . . . .	35
10.2 Spacer discs/mounting flanges. . . . .	36
<b>11. Appendix: EU declaration of conformity</b>	<b>37</b>

EN

## 1. General information

- The hydraulic force measuring unit described in the operating instructions has been designed and manufactured using state-of-the-art technology. All components are subject to stringent quality and environmental criteria during production. Our management systems are certified to ISO 9001.
- These operating instructions contain important information on handling the instrument. Working safely requires that all safety instructions and work instructions are observed.
- Observe the relevant local accident prevention regulations and general safety regulations for the instrument's range of use.
- The operating instructions are part of the product and must be kept in the immediate vicinity of the instrument and readily accessible to skilled personnel at any time. Pass the operating instructions onto the next operator or owner of the instrument.
- Skilled personnel must have carefully read and understood the operating instructions prior to beginning any work.
- The general terms and conditions contained in the sales documentation shall apply.
- Subject to technical modifications.
- Factory calibrations / DKD / DAkkS calibrations are carried out in accordance with international standards.

### Further information:

- Internet address: [www.wika.de](http://www.wika.de) / [www.tecsis.de](http://www.tecsis.de)
- Relevant data sheet: FO 52.10 - DE 816 (F1119, F1136)  
FO 52.11 - DE 810 (F1108, F1125, F1142, F1157)  
FO 52.12 - DE 812 (F1115)  
FO 52.13 - DE 813 (F1106)  
FO 52.14 - DE 814 (F1101, F1102)  
FO 52.15 - DE 815 (F1135, F1145)
  
- Application consultant: Phone: +49 5806-0  
Fax: +49 5806-7788  
[info@wika.de](mailto:info@wika.de), [info@tecsis.de](mailto:info@tecsis.de)

### Abbreviations, definitions

- 2-wire The two connection lines are used for the voltage supply.  
The measuring signal also provides the supply current.
- 3-wire Two connection lines are used for the voltage supply.  
One connection line is used for the measuring signal.
- UB+ Positive power supply terminal
- UB- Negative power supply terminal
- S+ Positive output terminal
- S- Negative output terminal

### 2. Design and function

#### 2.1 Overview

- ① Pressure gauge / digital pressure gauge (display instrument) or pressure sensor (output instrument)
- ② Adapter
- ③ Case
- ④ Measuring piston (force introduction)  
The case and the measuring piston together form the hydraulic compression force transducer - and including the pressure gauge / digital pressure gauge (display instrument) or the pressure sensor (output instrument) this is referred to as the hydraulic force measuring unit.
- ⑤ Electrical connection
- ⑥ Protective bellows
- ⑦ Capillary



### 2.2 Description

Hydraulic compression force transducers are designed for measuring static and dynamic compression forces. The hydraulic force measuring unit consists of a hydraulic compression force transducer and a pressure gauge or digital pressure gauge (display instrument) or a pressure sensor (output instrument).

EN

The measuring body is manufactured from non-rusting stainless steel. The force acting on the measuring piston is transmitted as pressure, proportional to the cylinder area, via the pressure-transmitting fluid to the measuring instrument.

### 2.3 Scope of delivery

- Hydraulic force measuring unit
- Operating instructions

## 3. Safety

### 3.1 Explanation of symbols



#### **WARNING!**

... indicates a potentially dangerous situation that can result in serious injury or death, if not avoided.



#### **CAUTION!**

... indicates a potentially dangerous situation that can result in light injuries or damage to property or the environment, if not avoided.



#### **Information**

... points out useful tips, recommendations and information for efficient and trouble-free operation.

### 3.2 Intended use

The hydraulic compression force transducers are designed for measuring static and dynamic compression forces.

Defective instruments must be returned to the manufacturer.

Model	Design
F1106 / F1115 / F1135 / F1145	Hydraulic compression force transducer Standard design
F1101	Hydraulic compression force transducer Closing force design
F1102	Hydraulic compression force transducer Welding tongs design
F1119 / F1136	Hydraulic compression force transducer Clamping force design
F1108 / F1125 / F1142 / F1157	Hydraulic compression force transducer Heavy-duty design

#### **Valid for the hydraulic compression force transducer with built-in pressure sensor, digital pressure gauge or pressure gauge with switch contacts:**

These instruments have been designed and tested in accordance with the relevant safety regulations for electronic measuring instruments. Any usage outside of this is deemed to be improper. The perfect functioning and operational safety of the transducers can only be guaranteed when complying with the instructions given in the operating instructions. During its use, the legal and safety regulations (e.g. VDE 0100) required for the particular application must additionally be observed. This also applies accordingly when using accessories. Faultless and safe operation of this measuring unit requires proper transport, professional storage, installation and mounting and careful operation and corrective maintenance.

The instrument has been designed and built solely for the intended use described here, and may only be used accordingly.

The technical specifications contained in these operating instructions must be observed. Improper handling or operation of the instrument outside of its technical specifications requires the instrument to be taken out of service immediately and inspected by an authorised service engineer.

Handle electronic precision measuring instruments with the required care (protect from humidity, impacts, strong magnetic fields, static electricity and extreme temperatures, do not insert any objects into the instrument or its openings). Plugs and sockets must be protected from contamination.

The manufacturer shall not be liable for claims of any type based on operation contrary to the intended use.

EN

### 3.3 Improper use



#### **WARNING!**

#### **Injuries through improper use**

Improper use of the instrument can lead to hazardous situations and injuries.

- ▶ Refrain from unauthorised modifications to the instrument.

Any use beyond or different to the intended use is considered as improper use.

### 3.4 Responsibility of the operator

The instrument is used in the industrial sector. The operator is therefore responsible for legal obligations regarding safety at work.

The safety instructions within these operating instructions, as well as the safety, accident prevention and environmental protection regulations for the application area must be maintained.

The operator is obliged to maintain the product label in a legible condition.

To ensure safe working on the instrument, the operating company must ensure

- that suitable first-aid equipment is available and aid is provided whenever required.
- that the skilled electrical personnel are regularly instructed in all topics regarding work safety, first aid and environmental protection and know the operating instructions and in particular, the safety instructions contained therein.
- that the instrument is suitable for the particular application in accordance with its intended use.
- that personal protective equipment is available.



### 3.5 Personnel qualification



#### **WARNING!**

#### **Risk of injury should qualification be insufficient**

Improper handling can result in considerable injury and damage to equipment.

- ▶ The activities described in these operating instructions may only be carried out by skilled personnel who have the qualifications described below.

EN

### **Skilled electrical personnel**

Skilled electrical personnel are understood to be personnel who, based on their technical training, know-how and experience as well as their knowledge of country-specific regulations, current standards and directives, are capable of carrying out work on electrical systems and independently recognising and avoiding potential hazards. The skilled electrical personnel have been specifically trained for the work environment they are working in and know the relevant standards and regulations. The skilled electrical personnel must comply with current legal accident prevention regulations.

### 3.6 Personal protective equipment

The requirements for the required protective equipment result from the ambient conditions at the place of use, other products or the connection to other products.

The requisite personal protective equipment must be provided by the operating company. The operator is in no way relieved of his obligations under labour law for the safety and the protection of workers' health.

The design of the personal protective equipment must take into account all operating parameters of the place of use.

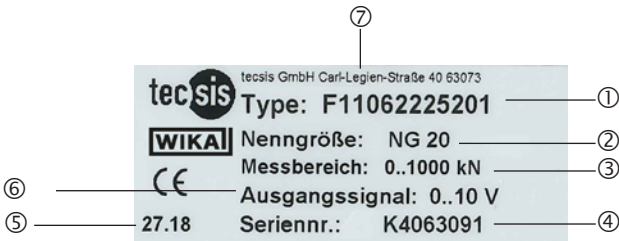
### 3.7 Labelling, safety marks

#### Product label

Product label with mechanical display unit (pressure gauge)



Product label with pressure sensor



- ① Model
- ② Nominal size
- ③ Measuring range
- ④ Serial number, TAG number
- ⑤ Date of manufacture calendar week/year
- ⑥ Output signal
- ⑦ Address

### 4. Transport, packaging and storage

#### 4.1 Transport

Check the hydraulic force measuring unit for any damage that may have been caused by transport. Obvious damage must be reported immediately.



#### **CAUTION!**

#### **Damage through improper transport**

With improper transport, a high level of damage to property can occur.

- ▶ When unloading packed goods upon delivery as well as during internal transport, proceed carefully and observe the symbols on the packaging.
- ▶ With internal transport, observe the instructions in chapter 4.2 "Packaging and storage".

As precision measuring instruments, force measuring units require careful handling during transport and mounting. Load impacts during transport (e.g. hitting a hard surface) can lead to permanent damage, resulting in measuring errors in the subsequent measuring operation.

#### 4.2 Packaging and storage

Do not remove packaging until just before mounting.

Keep the packaging as it will provide optimum protection during transport (e.g. change in installation site, sending for repair).

The hydraulic compression force transducer is made fully from stainless steel.

- The design with pressure gauge fulfils IP65 ingress protection.
- The design with digital pressure gauge fulfils IP65 ingress protection.
- The design with pressure sensor fulfils IP67 ingress protection. The design of the accessory cable fulfils IP67 ingress protection. The ingress protection IP67 is only guaranteed in the plugged-in state.

During storage the protection cap must always be on the electrical connection to avoid entry of moisture and dirt.

#### **Permissible conditions at the place of storage:**

- Storage temperature: -25 ... +70 °C
- Humidity: 35 ... 85 % relative humidity (non-condensation)

#### **Avoid exposure to the following factors:**

- Mechanical vibration, mechanical shock (putting it down hard)
- Dust, dirt, and other objects may not be deposited in such a way that they form a force shunt with the measuring piston, since this will falsify the measuring signal.

### 5. Commissioning, operation

#### 5.1 Precautions before commissioning

- Hydraulic compression force transducers are sensitive measuring instruments and must be handled with appropriate care.
- With the commissioning of hydraulic compression force transducers, make sure they are on a level mounting surface.
- The sealed threaded connections of the hydraulic force transducer must not be loosened! Non-compliant handling invalidates the warranty and a measuring function is no longer assured.

#### 5.2 To be observed during installation

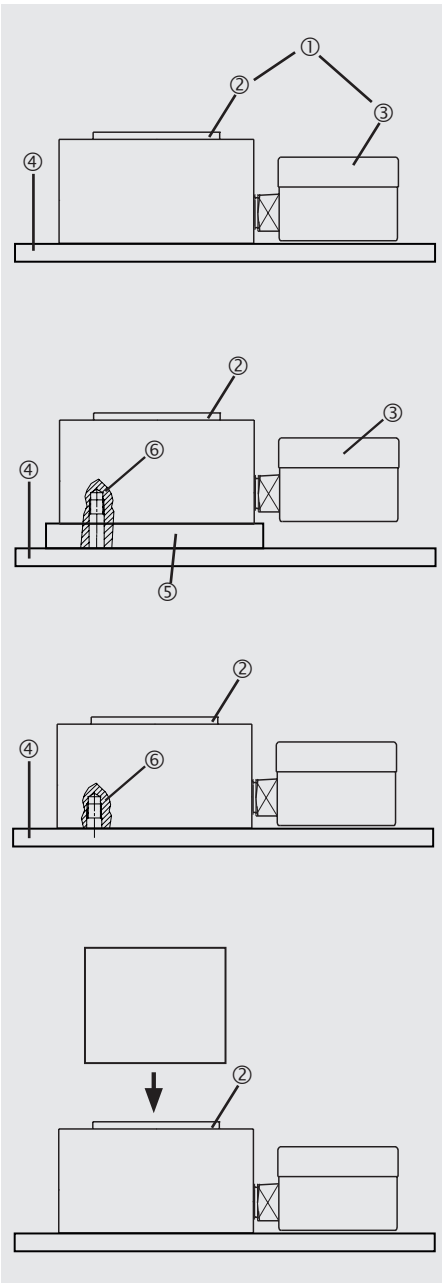


##### **CAUTION!**

##### **Damage to the instrument through improper installation**

- When installing the hydraulic force measuring unit, pay attention to the installation position and thus to the direction of loading.
- If the display instrument (pressure gauge, digital pressure gauge) or output instrument (pressure sensor) rests on the contact surface during installation, an adapter plate must be mounted under the hydraulic compression force transducer (accessories, see chapter 10).
- Torsional and transverse forces must be avoided. Transverse loads and lateral forces also include the corresponding components of the measurands that are introduced slanted.
- Torsional moments, eccentric loads and transverse loads or lateral forces cause measuring errors and may permanently damage the hydraulic compression force transducer.
- The hydraulic compression force transducer should only be loaded in the intended position.
- The hydraulic compression force transducer shall be mounted so that at least one support surface is designed as a moveable bearing.
- During installation of the hydraulic compression force transducer, the output signal or the display instrument (force value) must always be monitored to avoid mechanical overload.
- When subjected to loads in other devices, a change in the zero signal may result in permanent damage (leakage with jamming of the piston).
- An overload must be excluded at all times.
- Do not use the hydraulic compression force transducer as a climbing aid.

## 5.3 Mounting of the hydraulic force measuring unit with pressure gauge



- ① **Hydraulic force measuring unit** consisting of:
- ② **Hydraulic compression force transducer** and
- ③ **Pressure gauge (display instrument)**
- ④ Support surface for measuring object
- ⑤ Adapter plate (optional)
- ⑥ Screws (optional)

EN

- Place the hydraulic force measuring unit ① with its underside on the contact surface ④ of the measuring object.
- If the display instrument ③ rests on the contact surface ④ during installation, an adapter plate ⑤ with suitable screws ⑥ must be mounted under the hydraulic compression force transducer ②.
- In order to prevent a change of position on the contact surface ④, the hydraulic compression force transducer ② can be secured to the contact surface ④ with screws ⑥.
- Load the hydraulic compression force transducer ②.
- The display value can be read.

## 5. Commissioning, operation

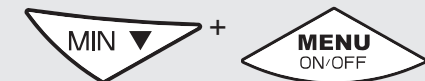
### 5.4 Commissioning of the hydraulic force measuring unit with digital pressure gauge

Digital pressure gauge



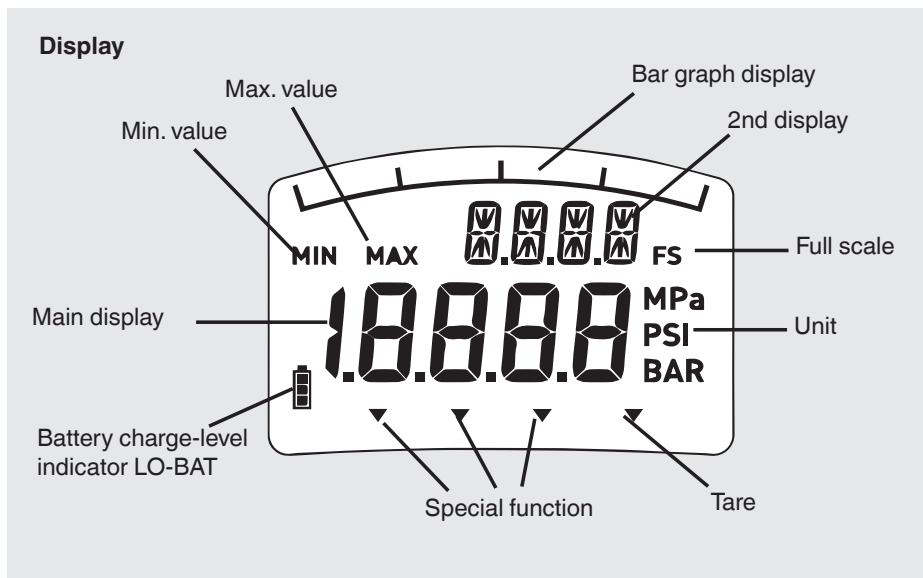
EN

#### Key



#### Function / Action

- Switches the instrument on
- Switches the instrument off
  
- Display indicates the Max value, while the key is pressed
  
- Display indicates the Min value, while the key is pressed
  
- Resets the max. value to " 0 "
  
- Resets the min. value to " 0 "



### Min / Max memory


The min./max. memory is reset to the current measured value with each measuring cycle.

- The display of the Min. value is achieved by pressing the Min. key.
- The display of the Max. value is achieved by pressing the Max. key.
- The resetting of the current measured value is achieved by holding down the respective key (Min or Max) and additionally briefly pressing the Menu key.

### Bar graph with drag pointer function

The additional integrated bar graph with drag-pointer function within the display indicates the trend of the current working pressure directly, independently from the digital display. Using the drag-pointer function, the max. memory value is also displayed in the bar graph display in the form of a bar segment, as well as in the digital display. On resetting the min./max. value, this bar graph is then updated to the current measured value.

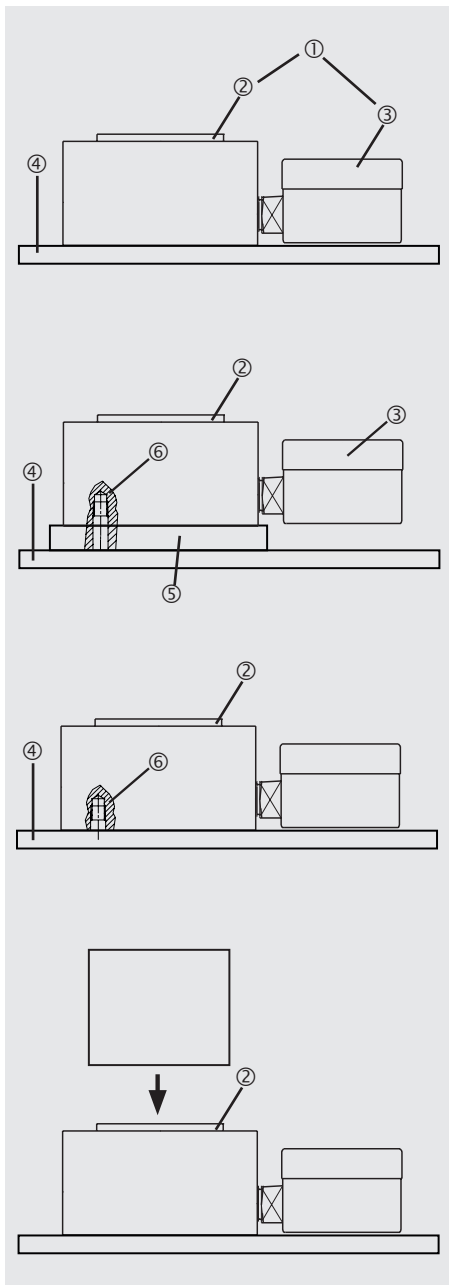
### Voltage supply

The digital pressure gauge is operated with 2 AA Mignon batteries. The status of the batteries is shown in the display . With a low battery charge level, a blinking battery symbol is shown on the indicator display - the batteries should then be changed as soon as possible.

- Open the battery cover of the digital pressure gauge on the rear of the instrument.
- Replace the batteries with 2 new mignon cells.
- Close the battery cover again.

### 5.5 Mounting of the hydraulic force measuring unit with digital pressure gauge

EN



- ① Hydraulic force measuring unit consisting of:
- ② Hydraulic compression force transducer and
- ③ Digital pressure gauge (display instrument)
- ④ Support surface for measuring object
- ⑤ Adapter plate (optional)
- ⑥ Screws (optional)

- Place the hydraulic force measuring unit ① with its underside on the contact surface ④ of the measuring object.
- If the display instrument ③ rests on the contact surface ④ during installation, an adapter plate ⑤ with suitable screws ⑥ must be mounted under the hydraulic compression force transducer ②.
- In order to prevent a change of position on the contact surface ④, the hydraulic compression force transducer ② can be secured to the contact surface ④ with screws ⑥.
- Load the hydraulic compression force transducer ②.
- The display value can be read.



## 5. Commissioning, operation

### 5.6 Electrical connection - hydraulic force measuring unit with built-in pressure sensor

To prevent interferences from coupling into the system, please observe the following information:

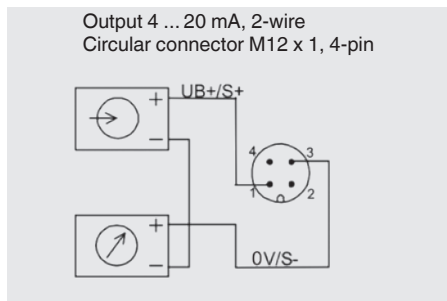
- Use only shielded and low-capacitance measuring cables (for cables, see chapter 10 “Accessories”). These cables fulfil the conditions.
- Ground the shield of the measuring cable.
- Connect the cable shield with the case of the hydraulic compression force transducer. In the cables of the accessories, the cable shield is connected by means of the knurled nut, thus connecting it to the case of the pressure sensor (for cables, see chapter 10 “Accessories”).
- Do not install measuring cables in parallel to 3-phase-current cables and control cables.
- Avoid stray fields of transformers, motors and contactors.
- Transducers, amplifiers and processing or display units must not be grounded several times. Connect all instruments to the same protective conductor.

The pin assignment of the connector or of the cable can be found on the product label.

When using extensions, only shielded and low-capacitance cables should be used. The permitted maximum and minimum lengths of cable are defined in ISO 11898-2. Care should be taken also to ensure a high-quality connection of the shielding.

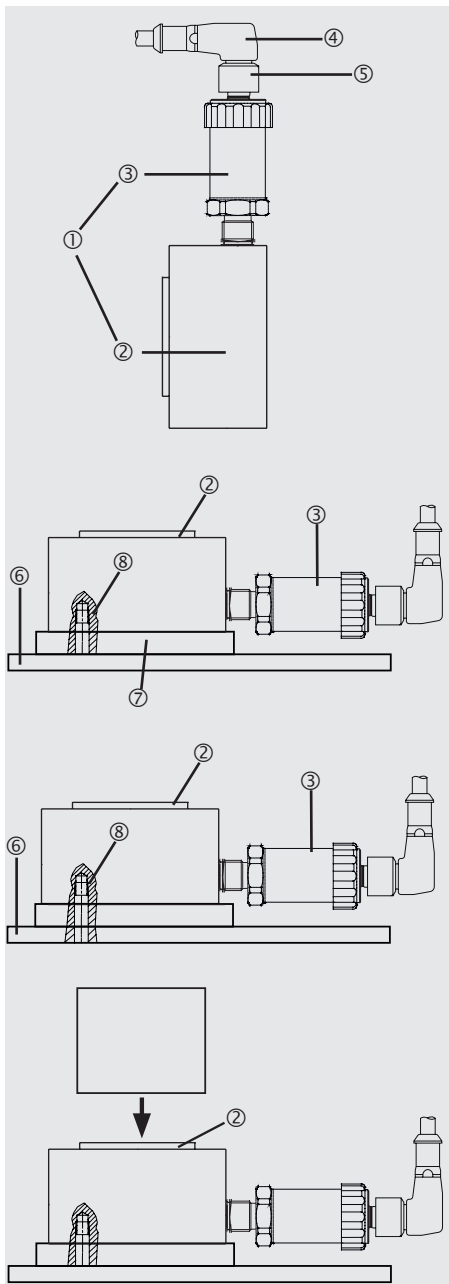
#### 5.6.1 Pin assignment of the analogue output - Hydraulic force measuring unit with output instrument (pressure sensor)

Circular connector M12 x 1, 4-pin	
	4 ... 20 mA 2-wire
UB+	1
0V/UB-	3
S+	1
S-	3
Shield ⊕	Case



### 5.7 Mounting of the hydraulic force measuring unit with pressure sensor

EN



- ① **Hydraulic force measuring unit** consisting of:
- ② **Hydraulic compression force transducer** and
- ③ Pressure sensor (output instrument)
- ④ Cable
- ⑤ Electrical connection
- ⑥ Support surface for measuring object
- ⑦ Adapter plate (optional)
- ⑧ Screws (optional)

- Connect the cable ④ to the electrical connection ⑤ of the pressure sensor ③ and screw down with the knurled nut.
- Place the hydraulic force measuring unit ① with its underside on the contact surface ⑥ of the measuring object. If the pressure sensor ③ rests on the contact surface ⑥ during installation, an adapter plate ⑦ with suitable screws ⑧ must be mounted under the hydraulic compression force transducer ②.
- Optionally, the hydraulic compression force transducer ① can also be fastened to the contact surface ⑥ of the test object with suitable screws ③.

- Load the hydraulic compression force transducer ②.

## 6. Faults



**CAUTION!**

**Physical injuries, damage to equipment**

If faults cannot be eliminated by means of the measures listed, the tension/compression force transducer must be taken out of operation immediately.

- ▶ Contact the manufacturer.
- ▶ If a return is needed, please follow the instructions given in chapter 9.2 “Returns”.



For contact details, please see chapter 1 “General information” or the back page of the operating instructions.

### 6.1 Faults of the hydraulic force measuring unit with pressure gauge / digital pressure gauge

Faults	Causes	Measures
No display	Leaking of the hydraulic force measuring unit or pressure gauge	Visual check whether the transmission medium has leaked (glycerine/water mixture) Consult the manufacturer
Deviation of the zero point display	Overload, load offset, defective force introduction	Consult the manufacturer
Output signal constant when changing force	Mechanical overload, defective force introduction	Consult the manufacturer
Signal span varies	EMC interference sources in the environment; for example, frequency converter	Shield instrument; cable shield; remove source of interference
Signal span drops/too small	Mechanical overload, leaking of the hydraulic force measuring unit	Consult the manufacturer
Pointer jerks with force increase	Stick-Slip effect (internal pressure too low)	Consult the manufacturer

## 6.2 Faults of the hydraulic force measuring unit with pressure sensor

EN

Faults	Causes	Measures
<b>No output signal</b>	No or wrong power supply, current pulse	Rectify the power supply
	Cable break	Check the continuity
<b>No or wrong output signal</b>	Wrong pin assignment	Check pin assignment
<b>Deviating zero point signal</b>	Overload, last offset, wrong connection	Consult the manufacturer
<b>Constant output signal when changing force</b>	Mechanical overload, wrong pin assignment, defective force introduction	Consult the manufacturer
	Leaking of the hydraulic force measuring unit	Visual check whether the transmission medium has leaked (glycerine/water mixture)
<b>Signal span varies</b>	EMC interference sources in the environment; for example, frequency converter	Shield instrument; cable shield; remove source of interference
<b>Signal span drops/too small</b>	Mechanical overload, leaking of the hydraulic force measuring unit	Consult the manufacturer

### 7. Maintenance and cleaning



For contact details, please see chapter 1 “General information” or the back page of the operating instructions.

EN

#### 7.1 Maintenance

This instrument is maintenance-free.

Repairs must only be carried out by the manufacturer.  
Only use original parts (see chapter 10 “Accessories”). Cleaning

##### 7.1.1 Hydraulic force measuring unit with pressure gauge / digital pressure gauge

1. Clean the hydraulic force measuring unit with a cloth.

##### 7.1.2 Hydraulic force measuring unit with pressure sensor

1. Prior to cleaning the hydraulic force measuring unit, correctly disconnect it properly from the voltage supply and dismount it.
2. Clean the hydraulic force measuring unit with a cloth.  
Electrical connections must not come into contact with moisture!



#### **CAUTION!**

##### **Damage to the instrument**

Improper cleaning may lead to damage to the instrument!

- ▶ Do not use any aggressive cleaning agents.
- ▶ Do not use any hard or pointed objects for cleaning.

#### 7.2 Recalibration

DKD/DAkkS certificate - official certificates:

We recommend that the tension/compression force transducer is recalibrated by the manufacturer at regular time intervals of approx. 24 months. The basic settings will be corrected if necessary.

### 8. Dismounting, return and disposal

#### 8.1 Dismounting



#### **DANGER!**

#### **Danger to life caused by electric current**

Upon contact with live parts, there is a direct danger to life.

- ▶ The dismounting of the instrument may only be carried out by skilled personnel.

#### 8.1.1 Hydraulic force measuring unit with pressure gauge / digital pressure gauge

Remove the hydraulic force measuring unit from the mounting situation.

#### 8.1.2 Hydraulic force measuring unit with pressure sensor

Relieve the hydraulic force measuring unit and isolate from the power. Remove the hydraulic force measuring unit from the mounting situation.

#### 8.2 Return

#### **Strictly observe the following when shipping the instrument:**

All instruments delivered to WIKA must be free from any kind of hazardous substances (acids, bases, solutions, etc.) and must therefore be cleaned before being returned.

When returning the instrument, use the original packaging or a suitable transport packaging.

#### **To avoid damage:**

1. Wrap the instrument in an antistatic plastic film.
2. Place the instrument along with shock-absorbent material in the packaging.  
Place shock-absorbent material evenly on all sides of the transport packaging.
3. If possible, place a bag containing a desiccant inside the packaging.
4. Label the shipment as carriage of a highly sensitive measuring instrument.



Information on returns can be found under the heading “Service” on our local website.

#### 8.3 Disposal

Incorrect disposal can put the environment at risk.

Dispose of instrument components and packaging materials in an environmentally compatible way and in accordance with the country-specific waste disposal regulations.



Do not dispose of with household waste. Ensure a proper disposal in accordance with national regulations.

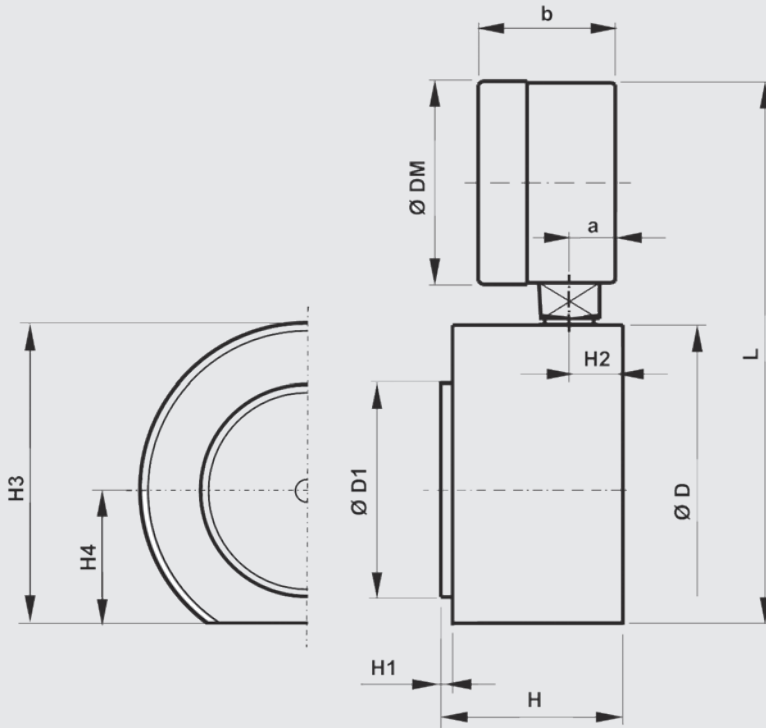
## 9. Specifications

EN

Specifications	Model F1119	Model F1136
<b>Nominal force <math>F_{nom}</math></b>	0 ... 320 N to 0 ... 500 kN	
<b>Nominal size</b>	NS 20	NS 80
<b>Display</b> <ul style="list-style-type: none"> <li>■ Standard</li> <li>■ Option</li> </ul>	Pressure gauge P1515 (NS 63) Digital pressure gauge DG-10 Pressure gauge PSG23.160 (NS 100), optionally with contacts Pressure sensor S-10	
<b>Relative linearity error <math>d_{lin}</math></b> <ul style="list-style-type: none"> <li>■ Standard</li> <li>■ Option</li> </ul>	$\leq \pm 1.0 \% F_{nom}$ (analogue display) $\leq \pm 0.5 \% F_{nom}$ (pressure sensor)	
<b>Limit force <math>F_L</math></b>	100 % $F_{nom}$ (depending on measuring range)	
<b>Breaking force <math>F_B</math></b>	> 130 % $F_{nom}$ (depending on measuring range)	
<b>Rated displacement <math>s_{nom}</math></b>	< 0.5 mm	
<b>Rated temperature range <math>B_{T, nom}</math></b>	-25 ... +50 °C	
<b>Ingress protection</b>	IP65 in accordance with IEC/EN 60529	
<b>Case</b>	Stainless steel	
<b>Pistons</b>		
<b>Mounting type</b> <ul style="list-style-type: none"> <li>■ Standard</li> <li>■ Option</li> </ul>	Direct Adapter Capillary Measuring hose for "separation without any losses"	
<b>Filling liquid</b>	Glycerine/Water 70 %	

# 9. Specifications

EN



Design			Dimensions in mm											Weight [approx. kg]
Model	NS [cm <sup>2</sup> ]	Nominal force	Ø D	Ø D1	H	H1	H2	H3	H4	DM	a	b	approx. L	[approx. kg]
F1119	20	0 ... 320 N	90	50	38	3	14	75	30	63	12.5	34	150	1.8
		(P1515)								(P1515)	(P1515)	(P1515)	(P1515)	
F1136	80	0 ... 120 kN	138	100	41	3	22.5	124	55	83.5	15.8	43.1	160	2.0
		(P3962)								(P3962)	(P3962)	(P3962)	(P3962)	
F1136	80	0 ... 1.2 kN	138	100	41	3	22.5	124	55	63	12.5	34	200	4.3
		(P1515)								(P1515)	(P1515)	(P1515)	(P1515)	
F1136	80	up to 500 kN	138	100	41	3	22.5	124	55	83.5	15.8	43.1	210	4.5
		(P3962)								(P3962)	(P3962)	(P3962)	(P3962)	

ADPR1X914105.01 04/2019 EN/DE



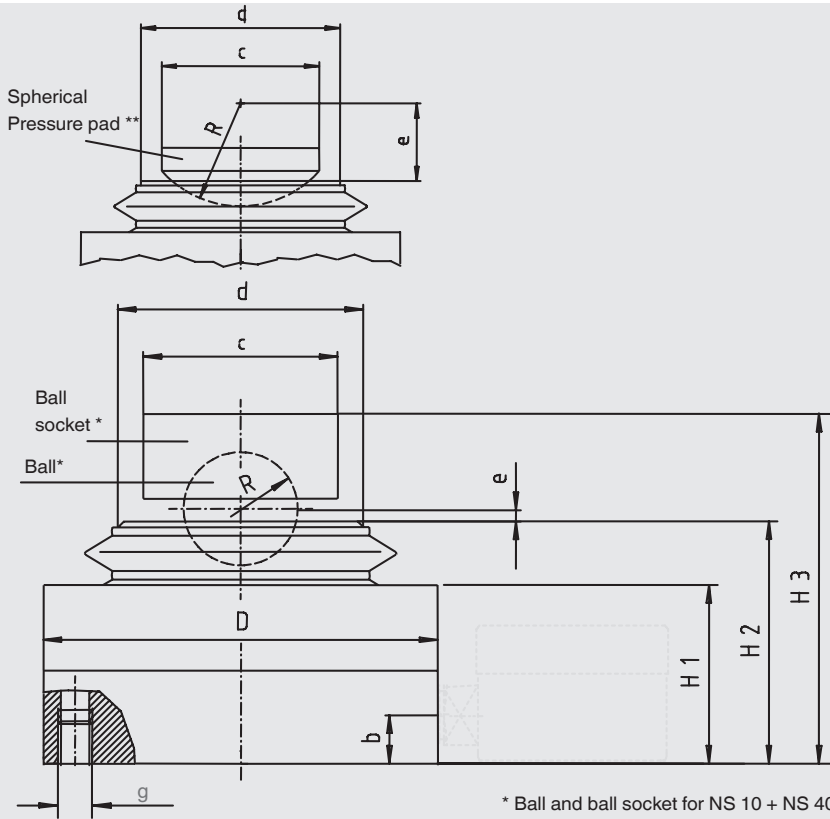
## 9. Specifications

Specifications	Models F1108, F1125, F1142, F1157
<b>Nominal force <math>F_{nom}</math></b>	0 ... 1 kN to 0 ... 2,500 kN
<b>Nominal size</b>	NS 10 / NS 40 / NS 100 / NS 250
<b>Display</b> <ul style="list-style-type: none"> <li>■ Standard</li> <li>■ Option</li> </ul>	Pressure gauge 232.57 (NS100) Pressure gauge PSG23.160 with contacts Pressure sensor S-10
<b>Relative linearity error <math>d_{lin}</math></b> <ul style="list-style-type: none"> <li>■ Standard</li> <li>■ Option</li> </ul>	$\leq \pm 1.0 \% F_{nom}$ (analogue display) $\leq \pm 0.5 \% F_{nom}$ (pressure sensor)
<b>Limit force <math>F_L</math></b>	100 % $F_{nom}$ (depending on measuring range)
<b>Breaking force <math>F_B</math></b>	> 130 % $F_{nom}$ (depending on measuring range)
<b>Rated displacement <math>s_{nom}</math></b>	< 0.8 mm
<b>Rated temperature range <math>B_{T, nom}</math></b>	-25 ... +90 °C
<b>Ingress protection</b>	IP67 in accordance with IEC/EN 60529
<b>Case</b>	Stainless steel
<b>Piston</b>	
<b>Mounting type</b> <ul style="list-style-type: none"> <li>■ Standard</li> <li>■ Option</li> </ul>	Direct mount Adapter Capillary Measuring hose for "separation without any losses"
<b>Filling liquid</b>	Glycerine/Water 70 %
<b>Options</b>	Mounting flange
<b>Assembly aid</b>	Threaded holes on the bottom of the case

EN

# 9. Specifications

EN



\* Ball and ball socket for NS 10 + NS 40  
 \*\* Spherical pressure pad for NS 100 + NS 250

Design			Dimensions in mm										Weight [approx. kg]
Model	NS [cm <sup>2</sup> ]	Nominal force	Ø D	Ø d	c	H1	H2	H3	R	b	g	e	
F1108	10	0 ... 1 kN up to 0 ... 100 kN	88	45	35	56	79	99	10	16	M8 Pitch circle 70 mm; 17 mm deep; 6x 60°; 30° turned right	2.5	2.9
F1125	40	0 ... 4 kN up to 0 ... 400 kN	138	90	68	63	85.5	123.5	20	17	M10 Pitch circle 120 mm; 19 mm deep; 8x 45°; 22.5° turned right	4	12.0
F1142	100	0 ... 10 kN up to 0 ... 1,000 kN	192	128	76	72	98.5	117.8	45	17	M12 Pitch circle 165 mm; 16 mm deep; 6x 60°; 30° turned right	33.5	18.0
F1157	250	0 ... 25 kN up to 0 ... 2,500 kN	262	198	118	77	104.5	130.8	70	17	M12 Pitch circle 238 mm; 21 mm deep; 12x 30°; 15° turned right	49	60.0

ADPR1X914105.01 04/2019 EN/DE

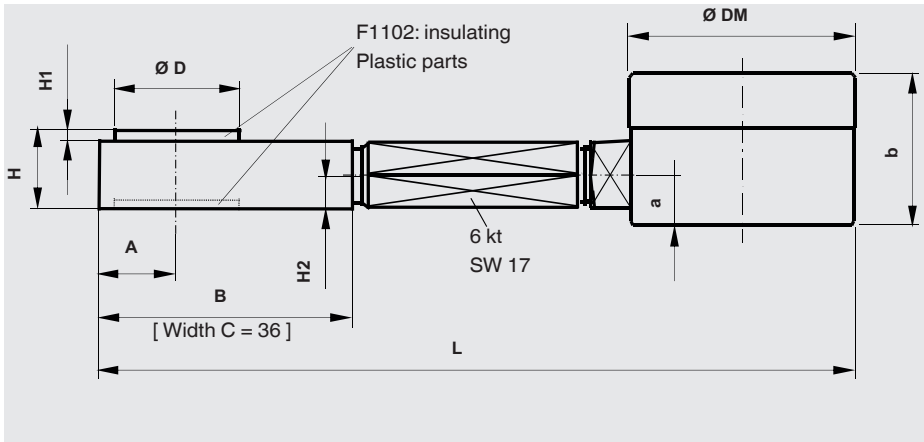
## 9. Specifications

EN

Specifications	Model F1101	Model F1102
<b>Nominal force <math>F_{nom}</math></b>	0 ... 100 N to 0 ... 36 kN	
<b>Nominal size</b>	NS 6	
<b>Display</b> <ul style="list-style-type: none"> <li>■ Standard</li> <li>■ Option</li> </ul>	Pressure gauge P1515 (NS 63) Digital pressure gauge DG-10 Pressure sensor S-10	
<b>Relative linearity error <math>d_{lin}</math></b> <ul style="list-style-type: none"> <li>■ Standard</li> <li>■ Option</li> </ul>	$\leq \pm 1.6 \% F_{nom}$ (analogue display) $\leq \pm 0.5 \% F_{nom}$ (pressure sensor)	
<b>Limit force <math>F_L</math></b>	100 % $F_{nom}$ (depending on measuring range)	
<b>Breaking force <math>F_B</math></b>	> 130 % $F_{nom}$ (depending on measuring range)	
<b>Rated displacement <math>s_{nom}</math></b>	< 0.5 mm	
<b>Rated temperature range <math>B_T</math>, nom</b>	-25 ... +50 °C	
<b>Ingress protection</b>	IP65 in accordance with IEC/EN 60529	
<b>Case</b>	Stainless steel	
<b>Pistons</b>	Stainless steel	Plastic (DELTRIN)
<b>Mounting type</b> <ul style="list-style-type: none"> <li>■ Standard</li> <li>■ Option</li> </ul>	Adapter L = 50 mm Capillary Measuring hose for "separation without any losses"	
<b>Filling liquid</b>	Glycerine/Water 70 %	

# 9. Specifications

EN



Design			Dimensions in mm											Weight [approx. kg]
Model	NS [cm <sup>2</sup> ]	Nominal force	Ø D	A	B	C	H	H1	H2	DM	a	b	approx. L	
F1101 / F1102	6	0 ... 100 N up to 0 ... 250 N	25	18	55	36	21 (F1101)	3 (F1101)	9	63 (P1515)	12.5 (P1515)	34 (P1515)	180 (P1515)	0.6 (P1515)
F1101 / F1102		0 ... 400 N up to 0 ... 36 kN					20 (F1102)	2 (F1102)		83.5 (P3962)	15.8 (P3962)	43.1 (P3962)	200 (P3962)	1.0 (P3962)

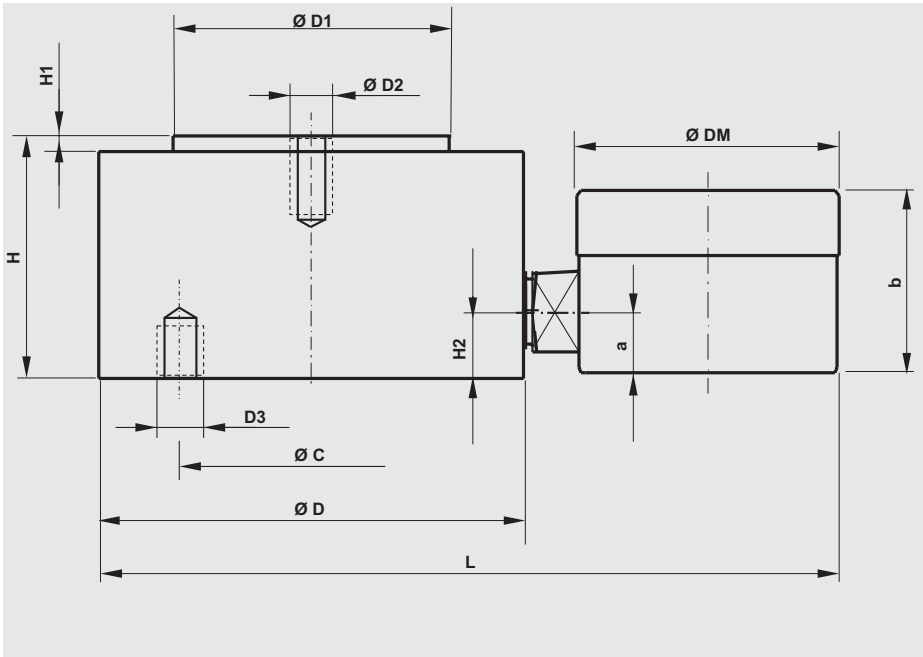
## 9. Specifications

EN

Specifications	Model F1115
<b>Nominal force <math>F_{nom}</math></b>	0 ... 320 N to 0 ... 120 kN
<b>Nominal size</b>	NS 20
<b>Display</b> <ul style="list-style-type: none"> <li>■ Standard</li> <li>■ Option</li> </ul>	Pressure gauge P1515 (NS 63) Digital pressure gauge DG-10 Pressure sensor S-10 Pressure gauge 232.57 (NS 100), optionally with contacts
<b>Relative linearity error <math>d_{lin}</math></b> <ul style="list-style-type: none"> <li>■ Standard</li> <li>■ Option</li> </ul>	$\leq \pm 1.6\% F_{nom}$ (analogue display) $\leq \pm 0.5\% F_{nom}$ (pressure sensor)
<b>Limit force <math>F_L</math></b>	100 % $F_{nom}$ (depending on measuring range)
<b>Breaking force <math>F_B</math></b>	> 130 % $F_{nom}$ (depending on measuring range)
<b>Rated displacement <math>s_{nom}</math></b>	< 0.5 mm
<b>Rated temperature range <math>B_{T, nom}</math></b>	-25 ... +50 °C
<b>Ingress protection</b>	IP65 in accordance with IEC/EN 60529
<b>Case</b>	Stainless steel
<b>Piston</b>	
<b>Mounting type</b> <ul style="list-style-type: none"> <li>■ Standard</li> <li>■ Option</li> </ul>	Direct mount Mounting flange Adapter Capillary Measuring hose for "separation without any losses"
<b>Filling liquid</b>	Glycerine/Water 70 %
<b>Assembly aid</b>	Threaded holes on the bottom of the case

# 9. Specifications

EN



Design			Dimensions in mm														
Model	NS [cm <sup>2</sup> ]	Nominal force	$\varnothing D$	$\varnothing D1$	$\varnothing D2$	$\varnothing D3$	$\varnothing D4$	$\varnothing C$	H	H1	H2	B	DM	a	b	approx. L	Weight [approx. kg]
F1115	20	0 ... 320 N up to 0 ... 1.2 kN	90	50	M8	M10	-	25	38	3	14	18	63 (P1515)	12.5 (P1515)	34 (P1515)	165 (P1515)	2.1 (P1515)
		0 ... 2 kN up to 0 ... 120 kN												83.5 (P3962)	15.8 (P3962)	43.1 (P3962)	175 (P3962)

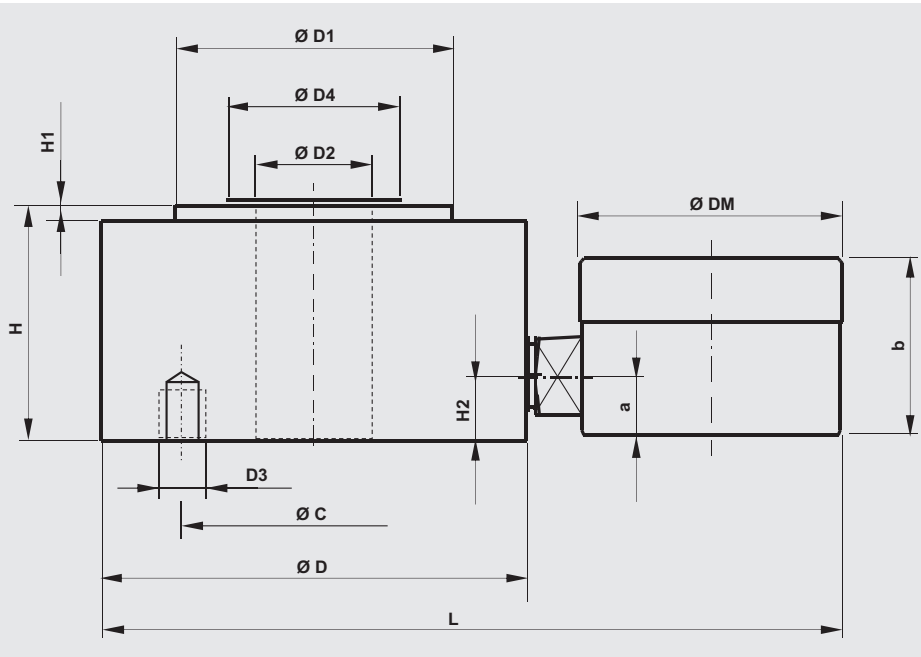
## 9. Specifications

EN

Specifications	Model F1106
<b>Nominal force <math>F_{nom}</math></b>	0 ... 160 N to 0 ... 60 kN
<b>Nominal size</b>	NS 10
<b>Display</b> <ul style="list-style-type: none"> <li>■ Standard</li> <li>■ Option</li> </ul>	Pressure gauge P1515 (NS 63) Digital pressure gauge DG-10 Pressure sensor S-10 Pressure gauge with contacts PSG23.160
<b>Relative linearity error <math>d_{lin}</math></b> <ul style="list-style-type: none"> <li>■ Standard</li> <li>■ Option</li> </ul>	$\leq \pm 1.6 \% F_{nom}$ (analogue display) $\leq \pm 0.5 \% F_{nom}$ (pressure sensor)
<b>Limit force <math>F_L</math></b>	100 % $F_{nom}$ (depending on measuring range)
<b>Breaking force <math>F_B</math></b>	> 130 % $F_{nom}$ (depending on measuring range)
<b>Rated displacement <math>s_{nom}</math></b>	< 0.5 mm
<b>Rated temperature range <math>B_{T, nom}</math></b>	-25 ... +50 °C
<b>Ingress protection</b>	IP65 in accordance with IEC/EN 60529
<b>Case</b>	Stainless steel
<b>Piston</b>	
<b>Mounting type</b> <ul style="list-style-type: none"> <li>■ Standard</li> <li>■ Option</li> </ul>	Adapter L = 50 mm direct, adapter Capillary Measuring hose for "separation without any losses"
<b>Filling liquid</b>	Glycerine/Water 70 %
<b>Assembly aid</b>	Threaded holes on the bottom of the case
<b>Options</b>	Mounting flange Spacer disc

# 9. Specifications

EN



Design			Dimensions in mm											approx. L	Weight [approx. kg]	
Model	NS [cm <sup>2</sup> ]	Nominal force	Ø D	Ø D1	Ø D2	Ø D3	Ø D4	Ø C	H	H1	H2	DM	a			b
F1106	10	0 ... 160 N up to 0 ... 400 N	75	45	-	M5 8 mm deep; 3 x 120°; 30° turned right	-	50	30	2	14	63 (P1515)	12.5 (P1515)	34 (P1515)	150 (P1515)	1.2 (P1515)
		83.5 (P3962)										15.8 (P3962)	43.1 (P3962)	160 (P3962)	1.4 (P3962)	



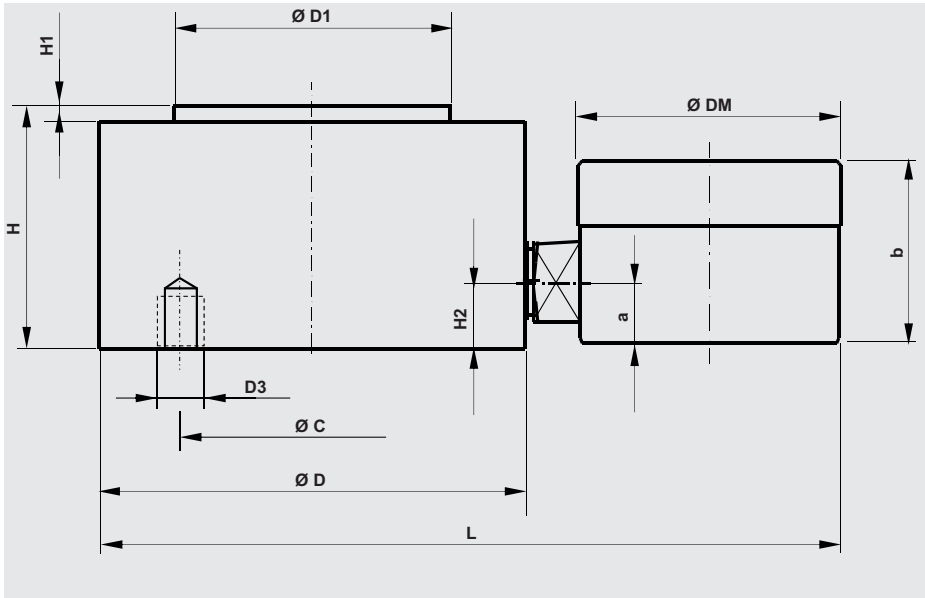
## 9. Specifications

Specifications	Model F1135	Model F1145
<b>Nominal force <math>F_{nom}</math></b>	0 ... 2 kN to 0 ... 850 kN	
<b>Nominal size</b>	NS 80	NS 141
<b>Display</b> <ul style="list-style-type: none"> <li>■ Standard</li> <li>■ Option</li> </ul>	Pressure gauge P1515 (NS 63) Digital pressure gauge DG-10 Pressure gauge 232.57 (NS 100), optionally with contacts Pressure sensor S-10	
<b>Relative linearity error <math>d_{lin}</math></b> <ul style="list-style-type: none"> <li>■ Standard</li> <li>■ Option</li> </ul>	$\leq \pm 1.6 \% F_{nom}$ (analogue display) $\leq \pm 0.5 \% F_{nom}$ (pressure sensor)	
<b>Limit force <math>F_L</math></b>	100 % $F_{nom}$ (depending on measuring range)	
<b>Breaking force <math>F_B</math></b>	> 130 % $F_{nom}$ (depending on measuring range)	
<b>Rated displacement <math>s_{nom}</math></b>	< 0.5 mm	
<b>Rated temperature range <math>B_{T, nom}</math></b>	-25 ... +50 °C	
<b>Ingress protection</b>	IP65 in accordance with IEC/EN 60529	
<b>Case</b>	Stainless steel	
<b>Pistons</b>		
<b>Mounting type</b> <ul style="list-style-type: none"> <li>■ Standard</li> <li>■ Option</li> </ul>	Direct Adapter, capillary, measuring hose for "separation without any losses"	
<b>Filling liquid</b>	Glycerine/Water 70 %	
<b>Assembly aid</b>	Threaded holes on the bottom of the case	
<b>Options</b>	Mounting flange Spacer disc	

EN

# 9. Specifications

EN



Design			Dimensions in mm													
Model	NS [cm <sup>2</sup> ]	Nominal force	$\varnothing D$	$\varnothing D1$	$\varnothing D2$	$\varnothing D3$	$\varnothing D4$	$\varnothing C$	H	H1	H2	DM	a	b	approx. L	Weight [approx. kg]
F1135	80	0 ... 2 kN up to 0 ... 8 kN	138	100	-	M5 8 mm deep; 3 x 120°; 60° turned right	-	122	41	3	22.5	63 (P1515)	12.5 (P1515)	34 (P1515)	215 (P1515)	4.6 (P1515)
		83.5 (P3962)										15.8 (P3962)	43.1 (P3962)	225 (P3962)	4.8 (P3962)	
F1145	80	0 ... 6 kN up to 0 ... 14 kN	145	-	134	M5 8 mm deep; 3 x 120°; 90° turned right	-	122	50	2	19	63 (P1515)	12.5 (P1515)	34 (P1515)	220 (P1515)	5.6 (P1515)
		83.5 (P3962)										15.8 (P3962)	43.1 (P3962)	230 (P3962)	5.8 (P3962)	

## 10. Accessories

WIKA accessories can be found online at [www.wika.com](http://www.wika.com).

### 10.1 Cable

Cable with M12 x 1 connector

EN

Cable socket M12 x 1		Ordner number		
		l = 2 m	l = 5 m	l = 10 m
4-pin cable	straight	EZE53X011010	EZE53X011012	EZE53X011016
	angled	EZE53X011011	EZE53X011013	EZE53X011017
5-pin cable	straight	EZE53X011043	EZE53X011044	EZE53X011047
	angled	EZE53X011045	EZE53X011046	EZE53X011071

Other cable lengths and cable types are available on request.

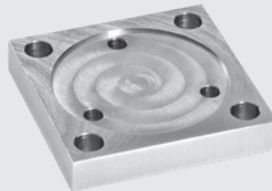
# 10. Accessories

## 10.2 Spacer discs/mounting flanges

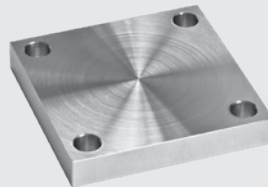
EN



Description	Outside dimensions ( $\varnothing$ external x H)	Order number
Material: Stainless steel	90 x 14 mm	A5866X002209
	75 x 14 mm	A5866X002212



Description	For size	Dimensions (L x W x H)	Design	Order number
Material: Galvanised steel	10	105 x 105 x 18 mm	for size 10, < 100 kN	A5296X016001
	40	150 x 150 x 20 mm	for size 40, < 400 kN	A5296X016002
	100	200 x 200 x 20 mm	for size 100, < 1000 kN	A5296X016005
	250	270 x 270 x 25 mm	for size 250, < 2500 kN	A5296X016006



Description	For size	Dimensions (L x W x H)	Design	Order number
Material: Stainless steel	10	90 x 90 x 12 mm	for size 10, < 5 kN	A5296X016009
	10 / 20	120 x 120 x 12 mm	for sizes 10 and 20, < 20 kN	A5296X016010
	10 / 20	130 x 130 x 12 mm	for sizes 10 and 20, < 40 kN	A5296X016011

ADPR1X914105.01 04/2019 EN/DE



## EU-Konformitätserklärung EU Declaration of Conformity

**Dokument Nr.:** ADEUKX400001.01  
**Document No.:**

Wir erklären in alleiniger Verantwortung, dass die mit CE gekennzeichneten Produkte  
*We declare under our sole responsibility that the CE marked products*

**Typenbezeichnungen:** F1106, F1115, F1135, F1145, F1101, F1102,  
**Type Designations:** F1119, F1136, F1108, F1125, F1142, F1157

**Beschreibung:** Hydraulische Druckkraftaufnehmer  
**Description:** Hydraulic compression force transducer

gemäß gültiger Betriebsanleitung:  
*according to the valid operating instructions:* ADPR1X914105

die wesentlichen Schutzanforderungen der folgenden Richtlinien erfüllen: Harmonisierte Normen:  
*comply with the essential protection requirements of the directives: Harmonized standards:*

2011/65/EU	Gefährliche Stoffe (RoHS) <i>Hazardous substances (RoHS)</i>	EN 50581:2012
2014/30/EU	Elektromagnetische Verträglichkeit (EMV) <i>Electromagnetic Compatibility (EMC)</i>	EN 61326-1:2013-07 EN 61326-2-3:2013-07 EN 55011:2011-04
2014/34/EU	Druckgeräterichtlinie (DGRL) <sup>(1)</sup> <i>Pressure Equipment Directive (PED) <sup>(1)</sup></i>	

(1) PS ≥ 200 bar; Modul A, druckhaltendes Ausrüstteil  
*PS ≥ 200 bar; Module A, pressure accessory*

Unterszeichnet für und im Namen von / *Signed for and on behalf of*

**tecsis GmbH**

Offenbach, 2019-01-22

Stefan Richter, Managing Director

Ralf Both, Engineering Manager

tecsis GmbH  
Carl-Legien-Str. 40 - 44  
63073 Offenbach am Main  
Germany

Tel. +49 69 5906-0  
Fax +49 69 5906-7788  
E-Mail info@tecsis.de  
www.tecsis.de

Sitz Offenbach - Offenbach am Main  
Registernummer: HR B 40169  
Geschäftsführer: Stefan Richter u. Axel Kaltfoden



# Inhalt

<b>1. Allgemeines</b>	<b>40</b>
<b>2. Aufbau und Funktion</b>	<b>41</b>
2.1 Überblick . . . . .	41
2.2 Beschreibung . . . . .	42
2.3 Lieferumfang . . . . .	42
<b>3. Sicherheit</b>	<b>42</b>
3.1 Symbolerklärung . . . . .	42
3.2 Bestimmungsgemäße Verwendung . . . . .	43
3.3 Fehlgebrauch . . . . .	44
3.4 Verantwortung des Betreibers. . . . .	44
3.5 Personalqualifikation. . . . .	45
3.6 Persönliche Schutzausrüstung . . . . .	45
3.7 Beschilderung, Sicherheitskennzeichnungen . . . . .	46
<b>4. Transport, Verpackung und Lagerung</b>	<b>47</b>
4.1 Transport. . . . .	47
4.2 Verpackung und Lagerung. . . . .	47
<b>5. Inbetriebnahme, Betrieb</b>	<b>48</b>
5.1 Vorkehrung vor der Inbetriebnahme. . . . .	48
5.2 Beachten Sie bei der Montage . . . . .	48
5.3 Montage der hydraulischen Kraftmesseinheit mit Manometer . . . . .	49
5.4 Inbetriebnahme der hydraulischen Kraftmesseinheit mit Digitalmanometer	50
5.5 Montage der hydraulischen Kraftmesseinheit mit Digitalmanometer. . . . .	52
5.6 Elektrischer Anschluss - Hydraulische Kraftmesseinheit mit angebautem Drucksensor . . . . .	53
5.7 Montage der hydraulischen Kraftmesseinheit mit Drucksensor . . . . .	54
<b>6. Störungen</b>	<b>55</b>
6.1 Störungen der hydraulischen Kraftmesseinheit mit Manometer / Digitalmanometer. . . . .	55
6.2 Störungen der hydraulischen Kraftmesseinheit mit Drucksensor . . . . .	56
<b>7. Wartung und Reinigung</b>	<b>57</b>
7.1 Wartung . . . . .	57
7.2 Rekalibrierung . . . . .	57
<b>8. Demontage, Rücksendung und Entsorgung</b>	<b>58</b>
8.1 Demontage . . . . .	58
8.2 Rücksendung . . . . .	58
8.3 Entsorgung . . . . .	58
<b>9. Technische Daten</b>	<b>59</b>
<b>10. Zubehör</b>	<b>71</b>
10.1 Kabel . . . . .	71
10.2 Distanzscheiben/Befestigungsflansche . . . . .	72
<b>11. Anlage: EU-Konformitätserklärung</b>	<b>73</b>

## 1. Allgemeines

- Die in der Betriebsanleitung beschriebene hydraulische Kraftmeseinheit wird nach dem aktuellen Stand der Technik konstruiert und gefertigt. Alle Komponenten unterliegen während der Fertigung strengen Qualitäts- und Umweltkriterien. Unsere Managementsysteme sind nach ISO 9001 zertifiziert.
- Diese Betriebsanleitung gibt wichtige Hinweise zum Umgang mit dem Gerät. Voraussetzung für sicheres Arbeiten ist die Einhaltung aller angegebenen Sicherheitshinweise und Handlungsanweisungen.
- Die für den Einsatzbereich des Gerätes geltenden örtlichen Unfallverhütungsvorschriften und allgemeinen Sicherheitsbestimmungen einhalten.
- Die Betriebsanleitung ist Produktbestandteil und muss in unmittelbarer Nähe des Gerätes für das Fachpersonal jederzeit zugänglich aufbewahrt werden. Betriebsanleitung an nachfolgende Benutzer oder Besitzer des Gerätes weitergeben.
- Das Fachpersonal muss die Betriebsanleitung vor Beginn aller Arbeiten sorgfältig durchgelesen und verstanden haben.
- Es gelten die allgemeinen Geschäftsbedingungen in den Verkaufsunterlagen.
- Technische Änderungen vorbehalten.
- Werkskalibrierungen / DKD / DAkkS-Kalibrierungen erfolgen nach internationalen Normen.

### Weitere Informationen:

- Internet-Adresse: [www.wika.de](http://www.wika.de) / [www.tecsis.de](http://www.tecsis.de)
- Zugehöriges Datenblatt: FO 52.10 - DD 816 (F1119, F1136)  
FO 52.11 - DD 810 (F1108, F1125, F1142, F1157)  
FO 52.12 - DD 812 (F1115)  
FO 52.13 - DD 813 (F1106)  
FO 52.14 - DD 814 (F1101, F1102)  
FO 52.15 - DD 815 (F1135, F1145)
  
- Anwendungsberater: Tel.: +49 5806-0  
Fax: +49 5806-7788  
[info@wika.de](mailto:info@wika.de) / [info@tecsis.de](mailto:info@tecsis.de)

### Abkürzungen, Definitionen

- 2-Leiter Die zwei Anschlussleitungen dienen zur Spannungsversorgung.  
Der Speisestrom ist das Messsignal.
- 3-Leiter Zwei Anschlussleitungen dienen zur Spannungsversorgung.  
Eine Anschlussleitung dient für das Messsignal.
- UB+ Positiver Versorgungsanschluss
- UB- Negativer Versorgungsanschluss
- S+ Positiver Messanschluss
- S- Negativer Messanschluss



### 2. Aufbau und Funktion

#### 2.1 Überblick

① Manometer / Digitalmanometer (Anzeigegerät) oder Drucksensor (Ausgabegerät)

② Adapter

③ Gehäuse

④ Messkolben (Krafteinleitung)

Das Gehäuse und der Messkolben bilden zusammen den hydraulischen Druckkraftaufnehmer - inklusive dem Manometer / Digitalmanometer (Anzeigegerät) oder dem Drucksensor (Ausgabegerät) handelt es sich um die hydraulische Kraftmesseinheit.

⑤ Elektrischer Anschluss

⑥ Schutzbalg

⑦ Kapillarleitung



### 2.2 Beschreibung

Hydraulische Druckkraftaufnehmer sind für das Messen statischer und dynamischer Druckkräfte vorgesehen. Die hydraulische Kraftmesseinheit besteht aus einem hydraulischen Druckkraftaufnehmer und einem Manometer bzw. Digitalmanometer (Anzeigergerät) oder einem Drucksensor (Ausgabegerät).

DE

Der Messkörper ist aus nichtrostendem Edelstahl gefertigt. Die auf den Messkolben wirkende Kraft wird entsprechend der Kolbenfläche als Druck über die druckübertragende Flüssigkeit auf das Messgerät übertragen.

### 2.3 Lieferumfang

- Hydraulische Kraftmesseinheit
- Betriebsanleitung

## 3. Sicherheit

### 3.1 Symbolerklärung



#### **WARNUNG!**

... weist auf eine möglicherweise gefährliche Situation hin, die zum Tod oder zu schweren Verletzungen führen kann, wenn sie nicht gemieden wird.



#### **VORSICHT!**

... weist auf eine möglicherweise gefährliche Situation hin, die zu geringfügigen oder leichten Verletzungen bzw. Sach- und Umweltschäden führen kann, wenn sie nicht gemieden wird.



#### **Information**

... hebt nützliche Tipps und Empfehlungen sowie Informationen für einen effizienten und störungsfreien Betrieb hervor.

## 3.2 Bestimmungsgemäße Verwendung

Die hydraulischen Druckkraftaufnehmer sind für das Messen statischer und dynamischer Druckkräfte vorgesehen.

Defekte Geräte sind an den Hersteller zurückzusenden.

Typ	Ausführung
F1106, F1115, F1135, F1145	Hydraulischer Druckkraftaufnehmer Ausführung Standard
F1101	Hydraulischer Druckkraftaufnehmer Ausführung Schließkraft
F1102	Hydraulischer Druckkraftaufnehmer Ausführung Schweißzange
F1119, F1136	Hydraulischer Druckkraftaufnehmer Ausführung Spannkraft
F1108, F1125, F1142, F1157	Hydraulischer Druckkraftaufnehmer Ausführung Heavy Duty

### **Gilt für den hydraulischen Druckkraftaufnehmer mit angebautem Drucksensor, Digitalmanometer oder Manometer mit Schaltkontakten:**

Diese Geräte sind gemäß den Sicherheitsbestimmungen für elektronische Messgeräte gebaut und geprüft. Jeder darüber hinausgehende Gebrauch gilt als nicht bestimmungsgemäß. Die einwandfreie Funktion und Betriebssicherheit der Aufnehmer kann nur bei Einhaltung der Angaben in der Betriebsanleitung garantiert werden. Bei der Verwendung sind zusätzlich die für den jeweiligen Anwendungsfall erforderlichen Rechts- und Sicherheitsvorschriften zu beachten (z. B. VDE 0100). Sinngemäß gilt dies auch bei Verwendung von Zubehör. Der einwandfreie und sichere Betrieb dieser Messeinheit setzt sachgemäßen Transport, fachgerechte Lagerung, Aufstellung und Montage sowie sorgfältige Bedienung und Instandhaltung voraus.

Das Gerät ist ausschließlich für den hier beschriebenen bestimmungsgemäßen Verwendungszweck konzipiert und konstruiert und darf nur dementsprechend verwendet werden.

Die technischen Spezifikationen in dieser Betriebsanleitung sind einzuhalten. Eine unsachgemäße Handhabung oder ein Betreiben des Gerätes außerhalb der technischen Spezifikationen macht die sofortige Stilllegung und Überprüfung durch einen autorisierten Servicemitarbeiter erforderlich.

Elektronische Präzisionsmessgeräte mit erforderlicher Sorgfalt behandeln (vor Nässe, Stößen, starken Magnetfeldern, statischer Elektrizität und extremen Temperaturen schützen, keine Gegenstände in das Gerät bzw. Öffnungen einführen). Stecker und Buchsen vor Verschmutzung schützen.

Ansprüche jeglicher Art aufgrund von nicht bestimmungsgemäßer Verwendung sind ausgeschlossen.

DE

### 3.3 Fehlgebrauch



#### **WARNUNG!**

#### **Verletzungen durch Fehlgebrauch**

Fehlgebrauch des Gerätes kann zu gefährlichen Situationen und Verletzungen führen.

- ▶ Eigenmächtige Umbauten am Gerät unterlassen.

Jede über die bestimmungsgemäße Verwendung hinausgehende oder andersartige Benutzung gilt als Fehlgebrauch.

### 3.4 Verantwortung des Betreibers

Das Gerät wird im gewerblichen Bereich eingesetzt. Der Betreiber unterliegt daher den gesetzlichen Pflichten zur Arbeitssicherheit.

Die Sicherheitshinweise dieser Betriebsanleitung, sowie die für den Einsatzbereich des Gerätes gültigen Sicherheits-, Unfallverhütungs- und Umweltschutzvorschriften einhalten.

Der Betreiber ist verpflichtet das Typenschild lesbar zu halten.

Für ein sicheres Arbeiten am Gerät muss der Betreiber sicherstellen,

- dass eine entsprechende Erste-Hilfe-Ausrüstung vorhanden ist und bei Bedarf jederzeit Hilfe zur Stelle ist.
- dass das Elektrofachpersonal regelmäßig in allen zutreffenden Fragen von Arbeitssicherheit, Erste Hilfe und Umweltschutz unterwiesen wird, sowie die Betriebsanleitung und insbesondere die darin enthaltenen Sicherheitshinweise kennt.
- dass das Gerät gemäß der bestimmungsgemäßen Verwendung für den Anwendungsfall geeignet ist.
- dass die persönliche Schutzausrüstung verfügbar ist.

### 3.5 Personalqualifikation



#### **WARNUNG!**

#### **Verletzungsgefahr bei unzureichender Qualifikation**

Unsachgemäßer Umgang kann zu erheblichen Personen- und Sachschäden führen.

- ▶ Die in dieser Betriebsanleitung beschriebenen Tätigkeiten nur durch Fachpersonal nachfolgend beschriebener Qualifikation durchführen lassen.

DE

### **Elektrofachpersonal**

Das Elektrofachpersonal ist aufgrund seiner fachlichen Ausbildung, Kenntnisse und Erfahrungen sowie Kenntnis der landesspezifischen Vorschriften, geltenden Normen und Richtlinien in der Lage, Arbeiten an elektrischen Anlagen auszuführen und mögliche Gefahren selbstständig zu erkennen und zu vermeiden. Das Elektrofachpersonal ist speziell für das Arbeitsumfeld, in dem es tätig ist, ausgebildet und kennt die relevanten Normen und Bestimmungen. Das Elektrofachpersonal muss die Bestimmungen der geltenden gesetzlichen Vorschriften zur Unfallverhütung erfüllen.

### 3.6 Persönliche Schutzausrüstung

Anforderungen an benötigte Schutzausrüstung ergeben sich aus den Umgebungsbedingungen am Ort der Nutzung, anderen Produkten oder der Verknüpfung mit anderen Produkten.

Die erforderliche persönliche Schutzausrüstung muss vom Betreiber zur Verfügung gestellt werden. Der Betreiber wird durch diese Vorschläge in keiner Weise von seinen arbeitsrechtlichen Pflichten zur Sicherheit und dem Schutz der Gesundheit der Arbeitnehmer entbunden.

Die Bemessung der persönlichen Schutzausrüstung muss unter Berücksichtigung aller Betriebsparameter des Einsatzortes erfolgen.

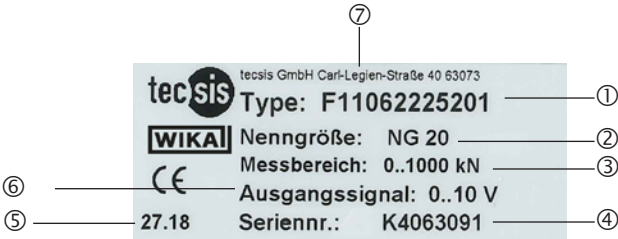
### 3.7 Beschilderung, Sicherheitskennzeichnungen

#### Typenschild

Typenschild mit mechanischer Anzeigeeinheit (Manometer)



Typenschild mit Drucksensor



- ① Typ
- ② Nenngröße
- ③ Messbereich
- ④ Seriennummer, TAG-Nummer
- ⑤ Herstellungsdatum Kalenderwoche/Jahr
- ⑥ Ausgangssignal
- ⑦ Adresse

### 4. Transport, Verpackung und Lagerung

#### 4.1 Transport

Die hydraulische Kraftmesseinheit auf eventuell vorhandene Transportschäden untersuchen. Offensichtliche Schäden unverzüglich mitteilen.



#### **VORSICHT!**

#### **Beschädigungen durch unsachgemäßen Transport**

Bei unsachgemäßem Transport können Sachschäden in erheblicher Höhe entstehen.

- ▶ Beim Abladen der Packstücke bei Anlieferung sowie innerbetrieblichem Transport vorsichtig vorgehen und die Symbole auf der Verpackung beachten.
- ▶ Bei innerbetrieblichem Transport die Hinweise unter Kapitel 4.2 „Verpackung und Lagerung“ beachten.

Als Präzisionsmessgeräte verlangen die Kraftmesseinheiten beim Transport und der Montage eine sorgfältige Handhabung. Laststöße während des Transports (z. B. Aufschlag auf harten Untergrund) können zu bleibenden Schäden führen, die im späteren Messbetrieb zu Messfehlern führen.

#### 4.2 Verpackung und Lagerung

Verpackung erst unmittelbar vor der Montage entfernen.

Die Verpackung aufbewahren, denn diese bietet bei einem Transport einen optimalen Schutz (z. B. wechselnder Einbauort, Reparatursendung).

Der hydraulische Druckkraftaufnehmer ist vollständig aus Chrom-Nickel-Stahl gefertigt.

- Die Ausführung mit Manometer erfüllt die Schutzart IP65.
- Die Ausführung mit Digitalmanometer erfüllt die Schutzart IP65.
- Die Ausführung mit Drucksensor erfüllt die Schutzart IP67. Die Ausführung der Zubehörkabel erfüllt die Schutzart IP67. Die Schutzklasse IP67 wird nur im gesteckten Zustand garantiert.

Bei der Lagerung muss sich die Schutzkappe immer auf dem elektrischen Anschluss befinden, um einen Feuchtigkeitseintritt sowie Schmutz zu vermeiden.

#### **Zulässige Bedingungen am Lagerort:**

- Lagertemperatur: -25 ... +70 °C
- Feuchtigkeit: 35 ... 85 % relative Feuchte (keine Betauung)

#### **Folgende Einflüsse vermeiden:**

- Mechanische Vibration, mechanischer Schock (hartes Aufstellen)
- Staub, Schmutz und sonstige Gegenstände dürfen sich nicht so ablagern, dass sie einen Kraftnebenschluss zum Messkolben bilden, da dadurch das Messsignal verfälscht wird.

### 5. Inbetriebnahme, Betrieb

#### 5.1 Vorkehrung vor der Inbetriebnahme

- Hydraulische Druckkraftaufnehmer sind empfindliche Messgeräte und entsprechend sorgsam zu behandeln.
- Vor der Inbetriebnahme des hydraulischen Druckkraftaufnehmers muss auf eine ebene Auflagefläche geachtet werden.
- Dichtende Verschraubungen des hydraulischen Kraftaufnehmers dürfen nicht gelöst werden! Bei Zuwiderhandlung erlischt die Garantie und eine Messfunktion ist nicht mehr gegeben.

#### 5.2 Beachten Sie bei der Montage

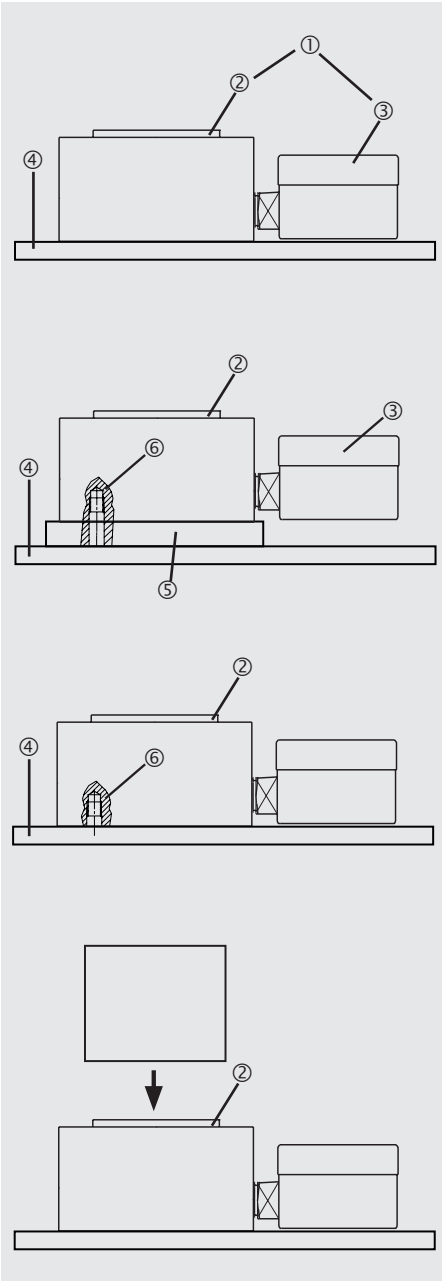


#### **VORSICHT!** **Beschädigung des Gerätes durch unsachgemäße Montage**

- Beim Einbau der hydraulischen Kraftmesseinheit ist auf die Einbaulage und damit auf die Belastungsrichtung zu achten.
- Falls das Anzeigergerät (Manometer, Digitalmanometer) oder Ausgabegerät (Drucksensor) bei der Montage auf der Auflagefläche aufliegt, ist eine Adapterplatte unter dem hydraulischen Druckkraftaufnehmer zu montieren (Zubehör, siehe Kapitel 10).
- Torsions- und Querkräfte sind zu vermeiden. Zu den Querbelastungen und Seitenkräften gehören auch die entsprechenden Komponenten der eventuell schräg eingeleiteten Messgrößen.
- Torsionsmomente, außermittige Belastungen und Querbelastungen bzw. Seitenkräfte verursachen Messfehler und können den hydraulischen Druckkraftaufnehmer bleibend schädigen.
- Der hydraulische Druckkraftaufnehmer darf nur in der vorgesehenen Lagerungsart belastet werden.
- Der hydraulische Druckkraftaufnehmer ist so anzubringen, dass mindestens eine Auflagefläche als Loslager ausgeführt wird.
- Während des Einbaus des hydraulischen Druckkraftaufnehmers ist das Ausgangssignal bzw. das Anzeigergerät (Kraftwert) stets zu überwachen, um eine mechanische Überlastung zu vermeiden.
- Bei Belastung in anderen Vorrichtungen kann eine Veränderung des Nullsignals eine dauerhafte Schädigung zur Folge haben (Undichtigkeit beim Verklemmen des Kolbens).
- Eine Überlastung ist zu jeder Zeit auszuschließen.
- Den hydraulischen Druckkraftaufnehmer nicht als Steighilfe verwenden.



## 5.3 Montage der hydraulischen Kraftmesseinheit mit Manometer



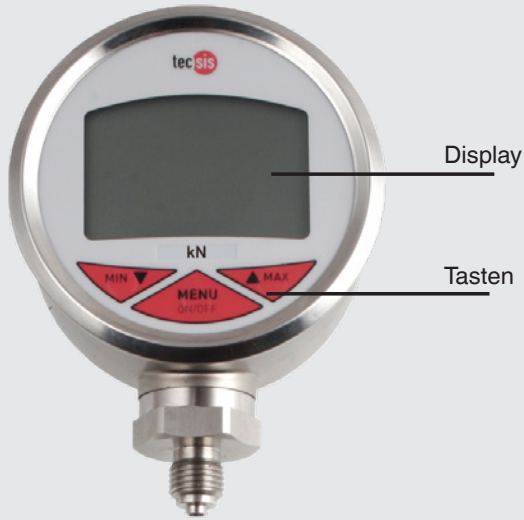
- ① **Hydraulische Kraftmesseinheit**  
bestehend aus:
- ② **Hydraulischem Druckkraftaufnehmer**  
und
- ③ **Manometer (Anzeigegerät)**
- ④ Auflagefläche Messobjekt
- ⑤ Adapterplatte (optional)
- ⑥ Schrauben (optional)

DE

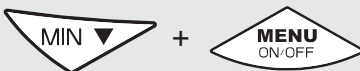
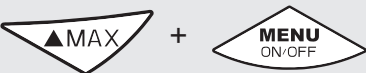
- Die hydraulische Kraftmesseinheit ① mit der Unterseite auf der Auflagefläche ④ des Messobjekts positionieren.
- Falls das Anzeigegerät ③ bei der Montage auf der Auflagefläche ④ aufliegt, ist eine Adapterplatte ⑤ mit passenden Schrauben ⑥ unter dem hydraulischen Druckkraftaufnehmer ② zu montieren.
- Um eine Positionänderung auf der Auflagefläche ④ zu verhindern, kann der hydraulische Druckkraftaufnehmer ② mit Schrauben ⑥ auf der Auflagefläche ④ befestigt werden.
- Hydraulischen Druckkraftaufnehmer ② belasten.
- Der Anzeigewert kann ablesen werden.

## 5.4 Inbetriebnahme der hydraulischen Kraftmeseinheit mit Digitalmanometer

Digitalmanometer

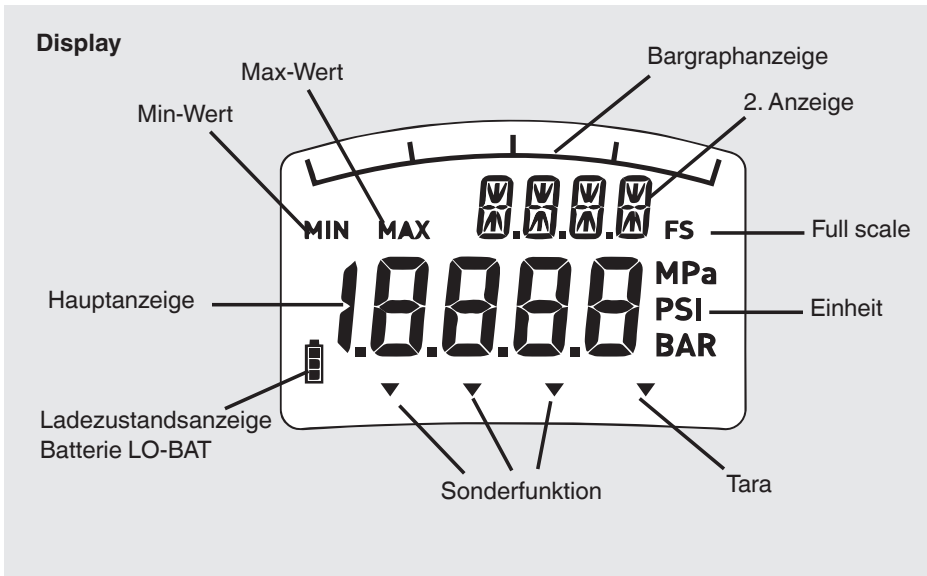


### Tasten



### Funktion / Aktion

- Schaltet Gerät ein
- Schaltet Gerät aus
  
- Display zeigt Max-Wert an, solange die Taste gedrückt ist
  
- Display zeigt Min-Wert an, solange die Taste gedrückt ist
  
- Setzt Max-Wert auf " 0 " zurück
  
- Setzt Min-Wert auf " 0 " zurück



### Min / Max Speicher


Der Min / Max Speicher wird in jedem Messzyklus mit dem aktuellen Messwert aktualisiert.

- Die Anzeige des Min-Wertes erfolgt durch drücken der Min-Taste.
- Die Anzeige des Max-Wertes erfolgt durch drücken der Max-Taste.
- Die Rücksetzung auf den aktuellen Messwert erfolgt durch festhalten der jeweiligen Taste ( Min oder Max) und kurzes zusätzliches Betätigen der Menu-Taste.

### Bargraph mit Schleppzeigerfunktion

Die zusätzlich in der Anzeige integrierte Bargraphanzeige mit Schleppzeigerfunktion zeigt direkt die Tendenz des momentanen Arbeitsdruckes unabhängig von der Digitalanzeige an. Mit Hilfe der Schleppzeigerfunktion wird der Max-Speicherwert zusätzlich zur Digitalanzeige auch in der Bargraphanzeige in Form eines Balkensegmentes angezeigt. Dieses Balkensegment wird bei Rücksetzung des Min / Max Wertes ebenfalls auf den aktuellen Messwert aktualisiert.

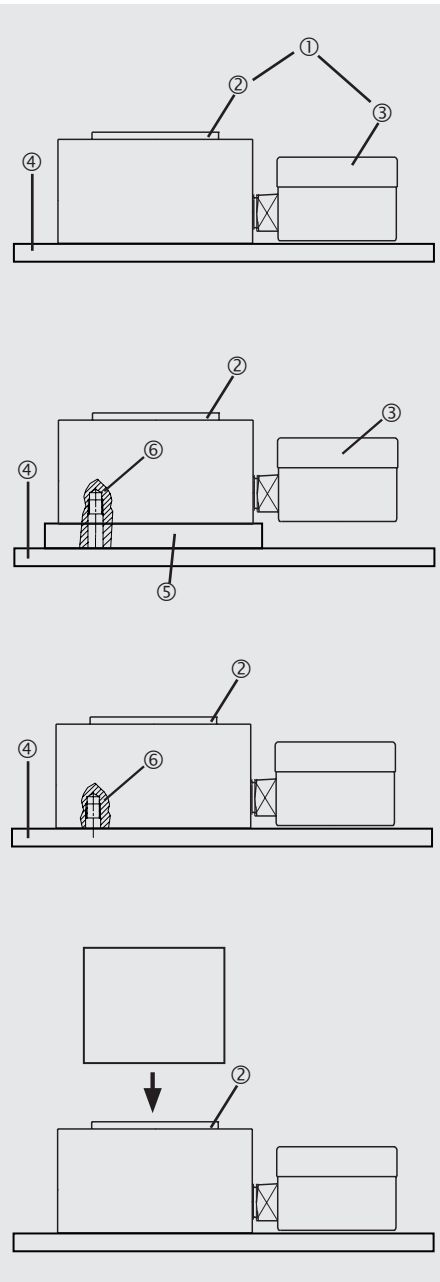
### Spannungsversorgung

Das Digitalmanometer wird mit 2 Mignon Batterien AA betrieben. Der Zustand der Batterien wird im Display angezeigt . Bei einem niedrigen Ladezustand der Batterien erscheint ein blinkendes Batteriesymbol auf dem Anzeigedisplay, die Batterien sind dann sobald wie möglich auszutauschen.

- Den Batteriedeckel des Digitalmanometers auf der Geräterückseite öffnen.
- Die Batterien durch 2 neue Mignon Zellen ersetzen.
- Den Batteriedeckel wieder schließen.

## 5.5 Montage der hydraulischen Kraftmesseinheit mit Digitalmanometer

DE



- ① **Hydraulische Kraftmesseinheit** bestehend aus:
- ② **Hydraulischem Druckkraftaufnehmer** und
- ③ **Digitalmanometer (Anzeigegerät)**
- ④ Auflagefläche Messobjekt
- ⑤ Adapterplatte (optional)
- ⑥ Schrauben (optional)

- Die hydraulische Kraftmesseinheit ① mit der Unterseite auf der Auflagefläche ④ des Messobjekts positionieren.
- Falls das Anzeigegerät ③ bei der Montage auf der Auflagefläche ④ aufliegt, ist eine Adapterplatte ⑤ mit passenden Schrauben ⑥ unter dem hydraulischen Druckkraftaufnehmer ② zu montieren.
- Um eine Positionänderung auf der Auflagefläche ④ zu verhindern, kann der hydraulische Druckkraftaufnehmer ② mit Schrauben ⑥ auf der Auflagefläche ④ befestigt werden.

- Hydraulischen Druckkraftaufnehmer ② belasten.
- Der Anzeigewert kann ablesen werden.

## 5.6 Elektrischer Anschluss - Hydraulische Kraftmesseinheit mit angebautem Drucksensor

**Um Einkopplungen von Störungen zu vermeiden folgende Hinweise beachten:**

- Nur abgeschirmte, kapazitätsarme Messkabel verwenden (Kabel, siehe Kapitel 10 „Zubehör“). Diese Kabel erfüllen die Bedingungen.
- Schirm des Messkabels erden.
- Der Kabelschirm mit dem Gehäuse des hydraulischen Druckkraftaufnehmers verbinden. Bei den Zubehörkabeln ist der Kabelschirm mit der Rändelmutter und damit mit dem Gehäuse des Drucksensors verbunden (Kabel, siehe Kapitel 10 „Zubehör“).
- Messkabel nicht parallel zu Starkstrom- und Steuerleitungen legen.
- Streufelder von Transformatoren sowie Motoren und Schützen vermeiden.
- Aufnehmer, Verstärker und Verarbeitungs- bzw. Anzeigeeinheit dürfen nicht mehrfach geerdet werden. Alle Geräte an den selben Schutzleiter anschließen.

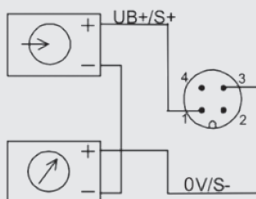
Die Anschlussbelegung des Steckers oder des Kabels sind dem Typenschild zu entnehmen.

Beim Verlängern dürfen nur abgeschirmte und kapazitätsarme Kabel verwendet werden. Die erlaubten maximalen und minimalen Längen des Kabels sind in der ISO 11898-2 angegeben. Dabei ist auf eine hochwertige Verbindung auch der Abschirmung zu achten.

### 5.6.1 Anschlussbelegung Analogausgang - Hydraulische Kraftmesseinheit mit Ausgabegerät (Drucksensor)

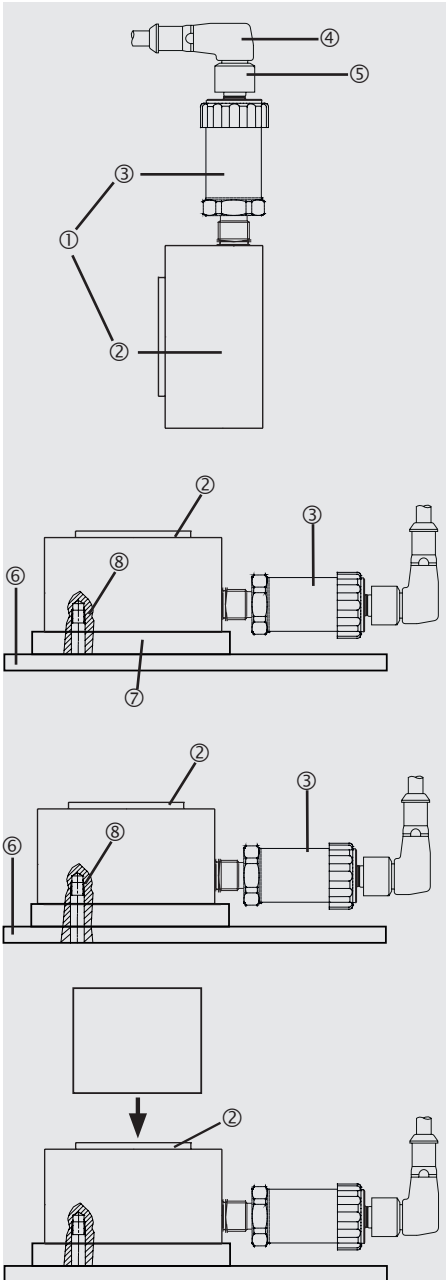
Rundstecker M12 x 1, 4-polig	
	4 ... 20 mA 2-Leiter
UB+	1
0V/UB-	3
S+	1
S-	3
Schirm ⊕	Gehäuse

Ausgang 4 ... 20 mA, 2-Leiter  
Rundstecker M12 x 1, 4-polig



## 5.7 Montage der hydraulischen Kraftmeseinheit mit Drucksensor

DE



- ① **Hydraulische Kraftmeseinheit** bestehend aus:
  - ② **Hydraulischem Druckkraftaufnehmer** und
  - ③ **Drucksensor (Ausgabegerät)**
  - ④ Kabel
  - ⑤ Elektrischer Anschluss
  - ⑥ Auflagefläche Messobjekt
  - ⑦ Adapterplatte (optional)
  - ⑧ Schrauben (optional)

- Kabel ④ am elektrischen Anschluss ⑤ des Drucksensors ③ anschließen und mittels Rändelmutter verschrauben.
- Die hydraulische Kraftmeseinheit ① mit der Unterseite auf der Auflagefläche ⑥ des Messobjekts positionieren. Falls der Drucksensor ③ bei der Montage auf der Auflagefläche ⑥ aufliegt, ist eine Adapterplatte ⑦ mit passenden Schrauben ⑧ unter dem hydraulischen Druckkraftaufnehmer ② zu montieren.
- Optional kann der hydraulische Druckkraftaufnehmer ① ebenfalls auf der Auflagefläche ⑥ des Messobjekts mit passenden Schrauben ③ befestigt werden.

- Hydraulischen Druckkraftaufnehmer ② belasten.

## 6. Störungen



### VORSICHT!

#### Körperverletzungen, Sachschäden

Können Störungen mit Hilfe der aufgeführten Maßnahmen nicht beseitigt werden, den Zug-/Druckkraftaufnehmer unverzüglich außer Betrieb setzen.

- ▶ Kontakt mit dem Hersteller aufnehmen.
- ▶ Bei notwendiger Rücksendung die Hinweise unter Kapitel 9.2 „Rücksendung“ beachten.



Kontaktdaten siehe Kapitel 1 „Allgemeines“ oder Rückseite der Betriebsanleitung.

DE

### 6.1 Störungen der hydraulischen Kraftmesseinheit mit Manometer / Digitalmanometer

Störungen	Ursachen	Maßnahmen
Kein Anzeige	Undichtigkeit der hydraulischen Kraftmesseinheit oder Manometer	Optische Kontrolle, ob Übertragungsmedium ausgetreten ist (Glycerin/Wassergemisch) Rücksprache mit Hersteller
Abweichende Nullpunkt-Anzeige	Überlast, Last-Offset, fehlerhafte Krafteinleitung	Rücksprache mit Hersteller
Gleichbleiben der Anzeige bei Kraftänderung	Mechanische Überlastung, fehlerhafte Krafteinleitung	Rücksprache mit Hersteller
Signalspanne schwankend	EMV-Störquellen in Umgebung, z. B. Frequenzumrichter	Gerät abschirmen; Leitungsabschirmung; Störquelle entfernen
Signalspanne fällt ab/zu klein	Mechanische Überlastung, Undichtigkeit der hydraulischen Kraftmesseinheit	Rücksprache mit Hersteller
Zeiger ruckelt bei Kraftanstieg	Stick-Slip-Effekt (interner Druck zu niedrig)	Rücksprache mit Hersteller

## 6.2 Störungen der hydraulischen Kraftmeseinheit mit Drucksensor

DE

Störungen	Ursachen	Maßnahmen
<b>Kein Ausgangssignal</b>	Keine oder Falsche Hilfsenergie, Stromstoß	Hilfsenergie korrigieren
	Leitungsbruch	Durchgang überprüfen
<b>Kein oder falsches Ausgangssignal</b>	Falsche Pinbelegung	Pinbelegung prüfen
<b>Abweichendes Nullpunkt-Signal</b>	Überlast, Last-Offset, falscher Anschluss	Rücksprache mit Hersteller
<b>Gleichbleiben des Ausgangssignals bei Kraftänderung</b>	Mechanische Überlastung, falsche Pinbelegung, fehlerhafte Krafteinleitung	Rücksprache mit Hersteller
	Undichtigkeit der hydraulischen Kraftmeseinheit	Optische Kontrolle, ob Übertragungsmedium ausgetreten ist (Glycerin/Wassergemisch)
<b>Signalspanne schwankend</b>	EMV-Störquellen in Umgebung, z. B. Frequenzumrichter	Gerät abschirmen; Leitungsabschirmung; Störquelle entfernen
<b>Signalspanne fällt ab/zu klein</b>	Mechanische Überlastung, Undichtigkeit der hydraulischen Kraftmeseinheit	Rücksprache mit Hersteller



### 7. Wartung und Reinigung



Kontaktaten siehe Kapitel 1 „Allgemeines“ oder Rückseite der Betriebsanleitung.

#### 7.1 Wartung

Dieses Gerät ist wartungsfrei.

Reparaturen sind ausschließlich vom Hersteller durchzuführen.

Nur Originalteile verwenden (siehe Kapitel 10 „Zubehör“).Reinigung

##### 7.1.1 Hydraulische Kraftmesseinheit mit Manometer / Digitalmanometer

1. Die hydraulische Kraftmesseinheit mit einem Tuch reinigen.

##### 7.1.2 Hydraulische Kraftmesseinheit mit Drucksensor

1. Vor der Reinigung die hydraulische Kraftmesseinheit ordnungsgemäß von der Spannungsversorgung trennen und ausbauen.
2. Die hydraulische Kraftmesseinheit mit einem Tuch reinigen.  
Elektrische Anschlüsse nicht mit Feuchtigkeit in Berührung bringen!



#### **VORSICHT!**

##### **Beschädigung des Gerätes**

Eine unsachgemäße Reinigung führt zur Beschädigung des Gerätes!

- ▶ Keine aggressiven Reinigungsmittel verwenden.
- ▶ Keine harten und spitzen Gegenstände zur Reinigung verwenden.

#### 7.2 Rekalibrierung

DKD/DAkKS-Schein - amtliche Bescheinigungen:

Es wird empfohlen, den Druckkraftaufnehmer in regelmäßigen Zeitabständen von ca. 24 Monaten durch den Hersteller rekalibrieren zu lassen. Die Grundeinstellungen werden wenn notwendig korrigiert.

### 8. Demontage, Rücksendung und Entsorgung

#### 8.1 Demontage



##### **GEFAHR!**

##### **Lebensgefahr durch elektrischen Strom**

Bei Berührung mit spannungsführenden Teilen besteht unmittelbare Lebensgefahr.

- ▶ Die Demontage des Gerätes darf nur durch Fachpersonal erfolgen.

#### 8.1.1 Hydraulische Kraftmesseinheit mit Manometer / Digitalmanometer

Die hydraulische Kraftmesseinheit aus der Einbausituation entfernen.

#### 8.1.2 Hydraulische Kraftmesseinheit mit Drucksensor

Die hydraulische Kraftmesseinheit entlasten und vom Strom trennen. Die hydraulische Kraftmesseinheit aus der Einbausituation entfernen.

#### 8.2 Rücksendung

##### **Beim Versand des Gerätes unbedingt beachten:**

Alle an WIKA gelieferten Geräte müssen frei von Gefahrstoffen (Säuren, Laugen, Lösungen, etc.) sein und sind daher vor der Rücksendung zu reinigen.

Zur Rücksendung des Gerätes die Originalverpackung oder eine geeignete Transportverpackung verwenden.

##### **Um Schäden zu vermeiden:**

1. Das Gerät in eine antistatische Plastikfolie einhüllen.
2. Das Gerät mit dem Dämmmaterial in der Verpackung platzieren.  
Zu allen Seiten der Transportverpackung gleichmäßig dämmen.
3. Wenn möglich einen Beutel mit Trocknungsmittel der Verpackung beifügen.
4. Sendung als Transport eines hochempfindlichen Messgerätes kennzeichnen.



Hinweise zur Rücksendung befinden sich in der Rubrik „Service“ auf unserer lokalen Internetseite.

#### 8.3 Entsorgung

Durch falsche Entsorgung können Gefahren für die Umwelt entstehen. Gerätekomponenten und Verpackungsmaterialien entsprechend den landesspezifischen Abfallbehandlungs- und Entsorgungsvorschriften umweltgerecht entsorgen.

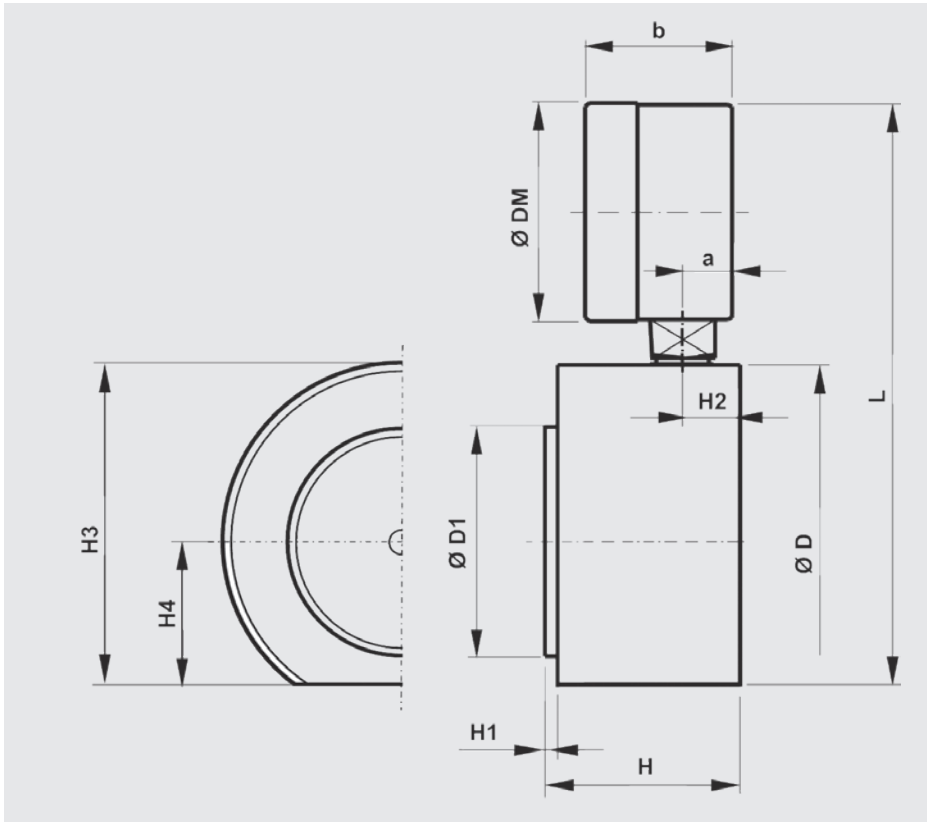


Nicht mit dem Hausmüll entsorgen. Für eine geordnete Entsorgung gemäß nationaler Vorgaben sorgen.

## 9. Technische Daten

Typ F1119, F1136		
	F1119	F1136
<b>Nennkraft <math>F_{nom}</math></b>	0 ... 320 N bis 0 ... 500 kN	
<b>Nenngröße</b>	NG 20	NG 80
<b>Anzeige</b> <ul style="list-style-type: none"> <li>■ Standard</li> <li>■ Option</li> </ul>	Manometer P1515 (NG 63) Digitalmanometer DG-10 Manometer 232.57 (NG 100) optional mit Kontakten Drucksensor S-10	
<b>Relative Linearitätsabweichung <math>d_{lin}</math></b> <ul style="list-style-type: none"> <li>■ Standard</li> <li>■ Option</li> </ul>	$\leq \pm 1,0 \% F_{nom}$ (Analoge Anzeige) $\leq \pm 0,5 \% F_{nom}$ (Drucksensor)	
<b>Grenzkraft <math>F_L</math></b>	100 % $F_{nom}$ (messbereichsabhängig)	
<b>Bruchkraft <math>F_B</math></b>	> 130 % $F_{nom}$ (messbereichsabhängig)	
<b>Nennmessweg <math>s_{nom}</math></b>	< 0,5 mm	
<b>Nenntemperaturbereich <math>B_{T, nom}</math></b>	-25 ... +50 °C	
<b>Schutzart</b>	IP65 nach EN/IEC 60529	
<b>Gehäuse</b>	CrNi-Stahl	
<b>Kolben</b>		
<b>Anbauart</b> <ul style="list-style-type: none"> <li>■ Standard</li> <li>■ Option</li> </ul>	Direkt Anschlussstück Kapillarleitung Messschlauch für "verlustfreies Trennen"	
<b>Füllflüssigkeit</b>	Glyzerin/Wasser 70 %	

DE



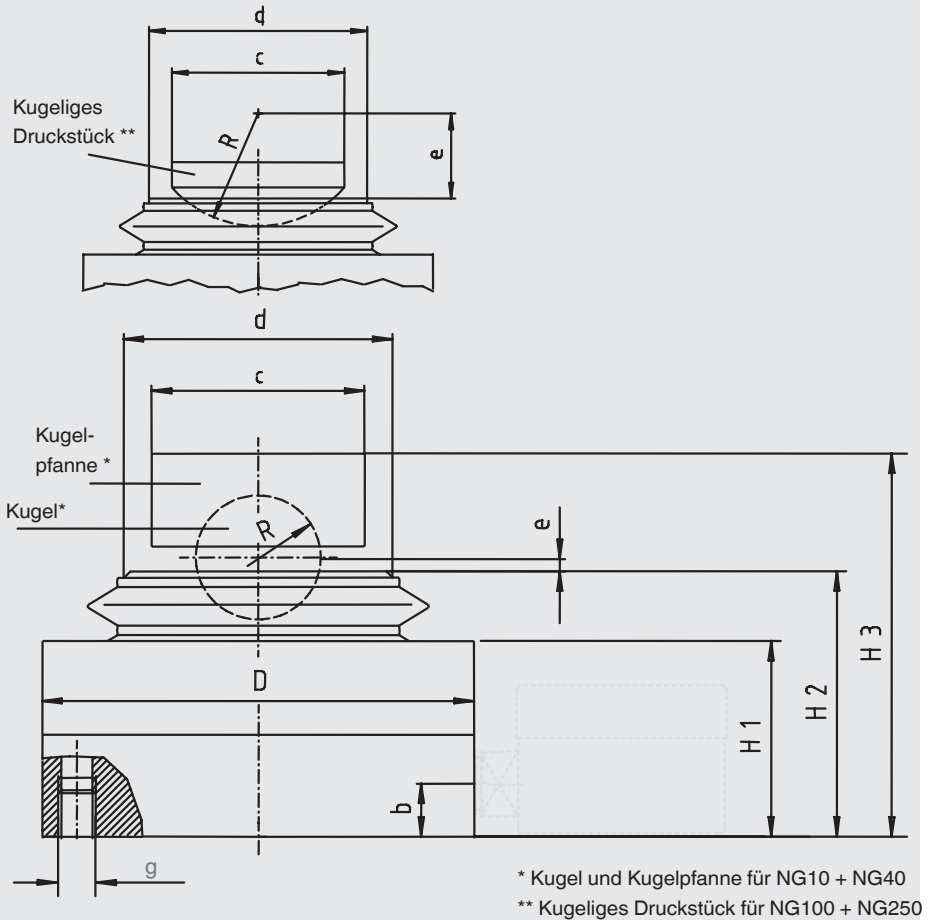
Ausführung			Abmessungen in mm										ca. L	Gewicht [ca. kg]
Typ	NG [cm <sup>2</sup> ]	Nennkraft	Ø D	Ø D1	H	H1	H2	H3	H4	DM	a	b		
F1119	20	0 ... 320 N bis 0 ... 120 kN	90	50	38	3	14	75	30	63 (P1515)	12,5 (P1515)	34 (P1515)	150 (P1515)	1,8 (P1515)
											83,5 (P3962)	15,8 (P3962)	43,1 (P3962)	160 (P3962)
F1136	80	0 ... 1,2 kN bis 0 ... 500 kN	138	100	41	3	22,5	124	55	63 (P1515)	12,5 (P1515)	34 (P1515)	200 (P1515)	4,3 (P1515)
											83,5 (P3962)	15,8 (P3962)	43,1 (P3962)	210 (P3962)

## 9. Technische Daten

DE

Typ F1108, F1125, F1142, F1157	
	F1108, F1125, F1142, F1157
<b>Nennkraft <math>F_{nom}</math></b>	0 ... 1 kN bis 0 ... 2.500 kN
<b>Nenngröße</b>	NG 10, NG 40, NG 100, NG 250
<b>Anzeige</b> ■ Standard ■ Option	Manometer 232.57 (NG 100) Manometer mit Kontakten PSG23.160 Drucksensor S-10
<b>Relative Linearitätsabweichung <math>d_{lin}</math></b> ■ Standard ■ Option	$\leq \pm 1,0 \% F_{nom}$ (Analoge Anzeige) $\leq \pm 0,5 \% F_{nom}$ (Drucksensor)
<b>Grenzkraft <math>F_L</math></b>	100 % $F_{nom}$ (messbereichsabhängig)
<b>Bruchkraft <math>F_B</math></b>	> 130 % $F_{nom}$ (messbereichsabhängig)
<b>Nennmessweg <math>s_{nom}</math></b>	< 0,8 mm
<b>Nenntemperaturbereich <math>B_{T, nom}</math></b>	-25 ... +90 °C
<b>Schutzart</b>	IP67 nach EN/IEC 60529
<b>Gehäuse</b>	CrNi-Stahl
<b>Kolben</b>	
<b>Anbauart</b> ■ Standard ■ Option	Direktanbau Anschlussstück Kapillarleitung Messschlauch für "verlustfreies Trennen"
<b>Füllflüssigkeit</b>	Glycerin/Wasser 70 %
<b>Optionen</b>	Befestigungsflansch
<b>Montagehilfe</b>	Gewindebohrungen am Gehäuseboden

DE



Ausführung			Abmessungen in mm										
Typ	NG [cm <sup>2</sup> ]	Nennkraft	Ø D	Ø d	Ø c	H1	H2	H3	R	b	g	e	Gewicht [ca. kg]
F1108	10	0 ... 1 kN bis 0 ... 100 kN	88	45	35	56	79	99	10	16	M8 Lochkreis 70mm; 17mm tief; 6x 60°; 30° rechts gedreht	2,5	2,9
F1125	40	0 ... 4 kN bis 0 ... 400 kN	138	90	68	63	85,5	123,5	20	17	M10 Lochkreis 120mm; 19mm tief; 8x 45°; 22,5° rechts gedreht	4	12,0
F1142	100	0 ... 10 kN bis 0 ... 1.000 kN	192	128	76	72	98,5	117,8	45	17	M12 Lochkreis 165mm; 16mm tief; 6x 60°; 30° rechts gedreht	33,5	18,0
F1157	250	0 ... 25 kN bis 0 ... 2.500 kN	262	198	118	77	104,5	130,8	70	17	M12 Lochkreis 238mm; 21mm tief; 12x 30°; 15° rechts gedreht	49	60,0

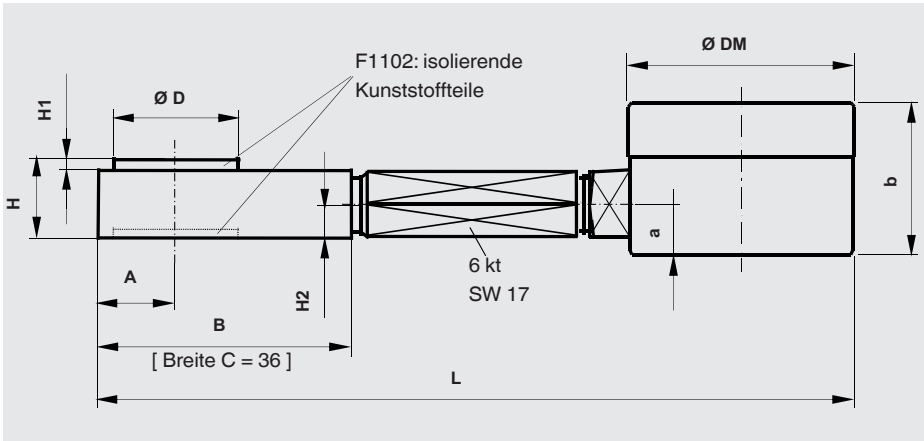
## 9. Technische Daten

DE

Typ F1101, F1102		
	F1101	F1102
<b>Nennkraft <math>F_{nom}</math></b>	0 ... 100 N bis 0 ... 36 kN	
<b>Nenngröße</b>	NG 6	
<b>Anzeige</b> ■ Standard ■ Option	Manometer P1515 (NG 63) Digitalmanometer DG-10 Drucksensor S-10	
<b>Relative Linearitätsabweichung <math>d_{lin}</math></b> ■ Standard ■ Option	$\leq \pm 1,6 \% F_{nom}$ (Analoge Anzeige) $\leq \pm 0,5 \% F_{nom}$ (Drucksensor)	
<b>Grenzkraft <math>F_L</math></b>	100 % $F_{nom}$ (messbereichsabhängig)	
<b>Bruchkraft <math>F_B</math></b>	> 130 % $F_{nom}$ (messbereichsabhängig)	
<b>Nennmessweg <math>s_{nom}</math></b>	< 0,5 mm	
<b>Nenntemperaturbereich <math>B_{T, nom}</math></b>	-25 ... +50 °C	
<b>Schutzart</b>	IP65 nach EN/IEC 60529	
<b>Gehäuse</b>	CrNi-Stahl	
<b>Kolben</b>	CrNi-Stahl	Kunststoff (DELRIN)
<b>Anbauart</b> ■ Standard ■ Option	Anschlussstück L = 50 mm Kapillarleitung Messschlauch für "verlustfreies Trennen"	
<b>Füllflüssigkeit</b>	Glyzerin/Wasser 70 %	

# 9. Technische Daten

DE



Ausführung			Abmessungen in mm											
Typ	NG [cm <sup>2</sup> ]	Nennkraft	Ø D	A	B	C	H	H1	H2	DM	a	b	ca. L	Ge- wicht [ca. kg]
F1101 / F1102	6	0 ... 100 N bis 0 ... 250 N	25	18	55	36	21 (F1101)	3 (F1101)	9	63 (P1515)	12,5 (P1515)	34 (P1515)	180 (P1515)	0,6 (P1515)
F1101 / F1102		0 ... 400 N bis 0 ... 36 kN					20 (F1102)	2 (F1102)		83,5 (P3962)	15,8 (P3962)	43,1 (P3962)	200 (P3962)	1,0 (P3962)



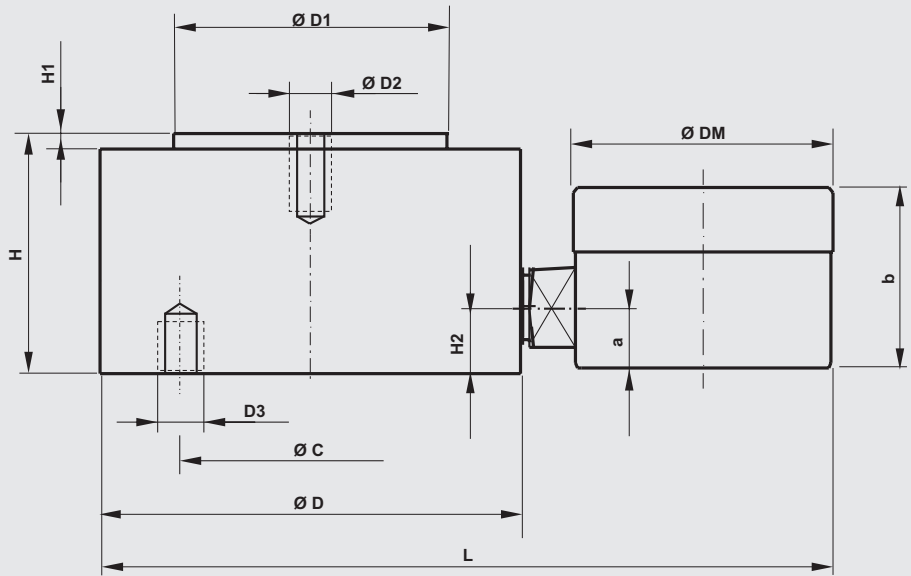
## 9. Technische Daten

DE

Typ F1115	
<b>Nennkraft <math>F_{nom}</math></b>	0 ... 320 N bis 0 ... 120 kN
<b>Nenngröße</b>	NG 20
<b>Anzeige</b> <ul style="list-style-type: none"> <li>■ Standard</li> <li>■ Option</li> </ul>	Manometer P1515 (NG 63) Digitalmanometer DG-10 Drucksensor S-10 Manometer 232.57 (NG 100) optional mit Kontakten Drucksensor S-10
<b>Relative Linearitätsabweichung <math>d_{lin}</math></b> <ul style="list-style-type: none"> <li>■ Standard</li> <li>■ Option</li> </ul>	$\leq \pm 1,6 \% F_{nom}$ (Analoge Anzeige) $\leq \pm 0,5 \% F_{nom}$ (Drucksensor)
<b>Grenzkraft <math>F_L</math></b>	100 % $F_{nom}$ (messbereichsabhängig)
<b>Bruchkraft <math>F_B</math></b>	> 130 % $F_{nom}$ (messbereichsabhängig)
<b>Nennmessweg <math>s_{nom}</math></b>	< 0,5 mm
<b>Nenntemperaturbereich <math>B_{T, nom}</math></b>	-25 ... +50 °C
<b>Schutzart</b>	IP65 nach EN/IEC 60529
<b>Gehäuse</b>	CrNi-Stahl
<b>Kolben</b>	
<b>Anbauart</b> <ul style="list-style-type: none"> <li>■ Standard</li> <li>■ Option</li> </ul>	Direktanbau Befestigungsflansch Anschlussstück Kapillarleitung Messschlauch für "verlustfreies Trennen"
<b>Füllflüssigkeit</b>	Glyzerin/Wasser 70 %
<b>Montagehilfe</b>	Gewindebohrungen am Gehäuseboden

# 9. Technische Daten

DE



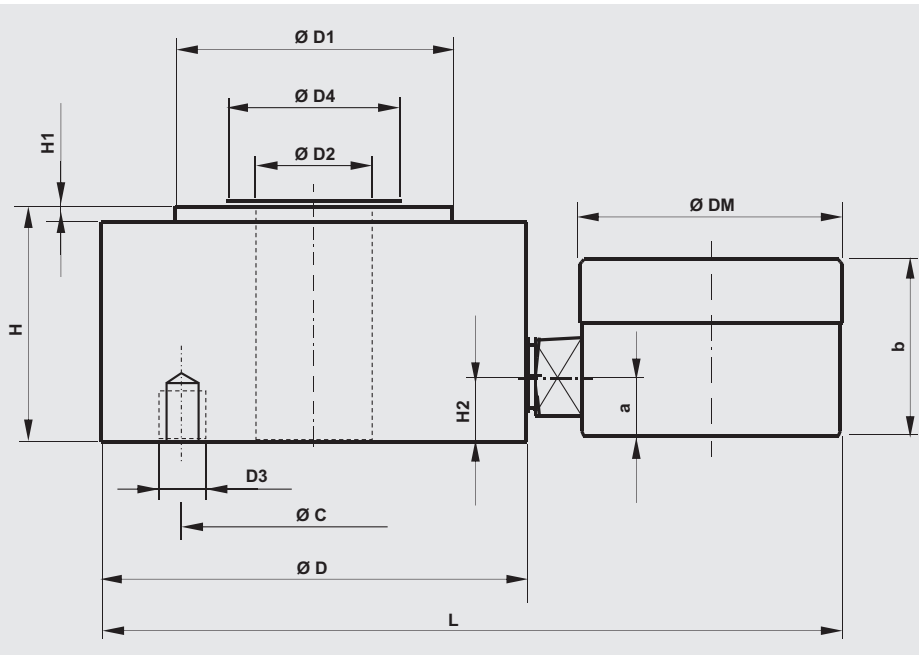
Ausführung			Abmessungen in mm													ca. L	Gewicht [ca. kg]
Typ	NG [cm <sup>2</sup> ]	Nennkraft	Ø D	Ø D1	Ø D2	Ø D3	Ø D4	Ø C	H	H1	H2	B	DM	a	b		
F1115	20	0 ... 320 N bis 0 ... 1,2 kN	90	50	M8	M10	-	25	38	3	14	18	63 (P1515)	12,5 (P1515)	34 (P1515)	165 (P1515)	2,1 (P1515)
		83,5 (P3962)											15,8 (P3962)	43,1 (P3962)	175 (P3962)	2,3 (P3962)	

## 9. Technische Daten

DE

Typ F1106	
<b>Nennkraft <math>F_{nom}</math></b>	0 ... 160 N bis 0 ... 60 kN
<b>Nenngröße</b>	NG 10
<b>Anzeige</b> ■ Standard ■ Option	Manometer P1515 (NG 63) Digitalmanometer DG-10 Manometer mit Kontakten PSG23.160 Drucksensor S-10
<b>Relative Linearitätsabweichung <math>d_{lin}</math></b> ■ Standard ■ Option	$\leq \pm 1,6 \% F_{nom}$ (Analoge Anzeige) $\leq \pm 0,5 \% F_{nom}$ (Drucksensor)
<b>Grenzkraft <math>F_L</math></b>	100 % $F_{nom}$ (messbereichsabhängig)
<b>Bruchkraft <math>F_B</math></b>	> 130 % $F_{nom}$ (messbereichsabhängig)
<b>Nennmessweg <math>s_{nom}</math></b>	< 0,5 mm
<b>Nenntemperaturbereich <math>B_{T, nom}</math></b>	-25 ... +50 °C
<b>Schutzart</b>	IP65 nach EN/IEC 60529
<b>Gehäuse</b>	CrNi-Stahl
<b>Kolben</b>	
<b>Anbauart</b> ■ Standard ■ Option	Anschlussstück L = 50 mm direkt, Anschlussstück Kapillarleitung Messschlauch für "verlustfreies Trennen"
<b>Füllflüssigkeit</b>	Glycerin/Wasser 70 %
<b>Montagehilfe</b>	Gewindebohrungen am Gehäuseboden
<b>Optionen</b>	Befestigungsflansch Distanzscheibe

DE



Ausführung			Abmessungen in mm											ca. L	Gewicht [ca. kg]	
Typ	NG [cm <sup>2</sup> ]	Nennkraft	Ø D	Ø D1	Ø D2	Ø D3	Ø D4	Ø C	H	H1	H2	DM	a			b
F1106	10	0 ... 160 N bis 0 ... 400 N	75	45	-	M5 8 mm tief; 3 x 120°; 30° rechts gedreht	-	50	30	2	14	63 (P1515)	12,5 (P1515)	34 (P1515)	150 (P1515)	1,2 (P1515)
		83,5 (P3962)										15,8 (P3962)	43,1 (P3962)	160 (P3962)	1,4 (P3962)	

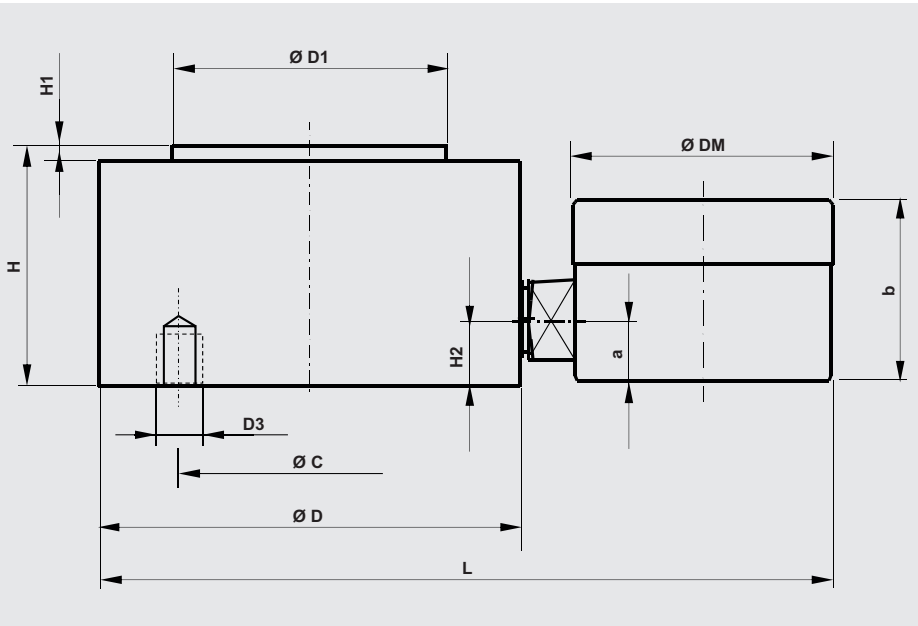
## 9. Technische Daten

Typ F1135, F1145		
	F1135	F1145
<b>Nennkraft <math>F_{nom}</math></b>	0 ... 2 kN bis 0 ... 850 kN	
<b>Nenngröße</b>	NG 80	NG 141
<b>Anzeige</b> ■ Standard ■ Option	Manometer P1515 (NG 63) Digitalmanometer DG-10 Manometer PSG23.160 (NG 100) optional mit Kontakten Drucksensor S-10	
<b>Relative Linearitätsabweichung <math>d_{lin}</math></b> ■ Standard ■ Option	$\leq \pm 1,6 \% F_{nom}$ (Analoge Anzeige) $\leq \pm 0,5 \% F_{nom}$ (Drucksensor)	
<b>Grenzkraft <math>F_L</math></b>	100 % $F_{nom}$ (messbereichsabhängig)	
<b>Bruchkraft <math>F_B</math></b>	$> 130 \% F_{nom}$ (messbereichsabhängig)	
<b>Nennmessweg <math>s_{nom}</math></b>	$< 0,5 \text{ mm}$	
<b>Nenntemperaturbereich <math>B_{T, nom}</math></b>	$-25 \dots +50 \text{ }^\circ\text{C}$	
<b>Schutzart</b>	IP65 nach EN/IEC 60529	
<b>Gehäuse</b>	CrNi-Stahl	
<b>Kolben</b>		
<b>Anbauart</b> ■ Standard ■ Option	Direkt Anschlussstück, Kapillarleitung, Messschlauch für "verlustfreies Trennen"	
<b>Füllflüssigkeit</b>	Glycerin/Wasser 70 %	
<b>Montagehilfe</b>	Gewindelöcher am Gehäuseboden	
<b>Optionen</b>	Befestigungsflansch Distanzscheibe	

DE

# 9. Technische Daten

DE



Ausführung			Abmessungen in mm													ca. L	Gewicht [ca. kg]
Typ	NG [cm <sup>2</sup> ]	Nennkraft	Ø D	Ø D1	Ø D2	Ø D3	Ø D4	Ø C	H	H1	H2	DM	a	b			
F1135	80	0 ... 2 kN bis 0 ... 8 kN	138	100	-	M5 8 mm tief; 3 x 120°; 60° rechts gedreht	-	122	41	3	22,5	63 (P1515)	12,5 (P1515)	34 (P1515)	215 (P1515)	4,6 (P1515)	
		83,5 (P3962)										15,8 (P3962)	43,1 (P3962)	225 (P3962)	4,8 (P3962)		
F1145	80	0 ... 6 kN bis 0 ... 14 kN	145	-	134	M5 8 mm tief; 3 x 120°; 90° rechts gedreht	-	122	50	2	19	63 (P1515)	12,5 (P1515)	34 (P1515)	220 (P1515)	5,6 (P1515)	
		83,5 (P3962)										15,8 (P3962)	43,1 (P3962)	230 (P3962)	5,8 (P3962)		

ADPR1X914105.01 04/2019 EN/DE

## 10. Zubehör

WIKA-Zubehör finden Sie online unter [www.wika.de](http://www.wika.de).

### 10.1 Kabel

Kabel mit M12 x 1 Stecker

DE

Kabeldose M12 x 1		Bestellnummer		
		l = 2 m	l = 5 m	l = 10 m
4-polig mit Kabel	gerade	EZE53X011010	EZE53X011012	EZE53X011016
	gewinkelt	EZE53X011011	EZE53X011013	EZE53X011017
5-polig mit Kabel	gerade	EZE53X011043	EZE53X011044	EZE53X011047
	gewinkelt	EZE53X011045	EZE53X011046	EZE53X011071

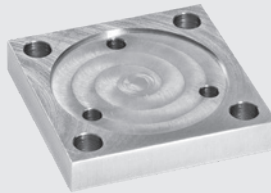
Andere Kabellängen und Kabelarten sind auf Anfrage erhältlich.

## 10.2 Distanzscheiben/Befestigungsflansche

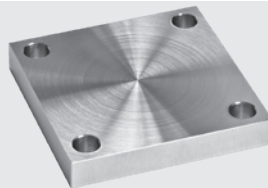
DE



		Bestellnummer
Material	Edelstahl	
Abmaße (Ø außen × H)	90 x 14 mm	A5866X002209
	75 x 14 mm	A5866X002212



		Ausführung	Bestellnummer
Material	Stahl verzinkt		
für Größe	Abmaße (L x B x H)		
10	105 × 105 × 18 mm	für Größe 10, < 100 kN	A5296X016001
40	150 × 150 × 20 mm	für Größe 40, < 400 kN	A5296X016002
100	200 × 200 × 20 mm	für Größe 100, < 1000 kN	A5296X016005
250	270 × 270 × 25 mm	für Größe 250, < 2500 kN	A5296X016006



		Ausführung	Bestellnummer
Material	Edelstahl		
für Größe	Abmaße (L x B x H)		
10	90 × 90 × 12 mm	für Größe 10, < 5 kN	A5296X016009
10 / 20	120 × 120 × 12 mm	für Größe 10 und 20, < 20 kN	A5296X016010
10 / 20	130 × 130 × 12 mm	für Größe 10 und 20, < 40 kN	A5296X016011





## EU-Konformitätserklärung EU Declaration of Conformity

**Dokument Nr.:** ADEUKX400001.01  
**Document No.:**

Wir erklären in alleiniger Verantwortung, dass die mit CE gekennzeichneten Produkte  
*We declare under our sole responsibility that the CE marked products*

**Typenbezeichnungen:** F1106, F1115, F1135, F1145, F1101, F1102,  
**Type Designations:** F1119, F1136, F1108, F1125, F1142, F1157

**Beschreibung:** Hydraulische Druckkraftaufnehmer  
**Description:** Hydraulic compression force transducer

gemäß gültiger Betriebsanleitung:  
*according to the valid operating* ADPR1X914105  
*instructions:*

die wesentlichen Schutzanforderungen der folgenden Richtlinien erfüllen: Harmonisierte Normen:  
*comply with the essential protection requirements of the directives: Harmonized standards:*

2011/65/EU	Gefährliche Stoffe (RoHS) <i>Hazardous substances (RoHS)</i>	EN 50581:2012
2014/30/EU	Elektromagnetische Verträglichkeit (EMV) <i>Electromagnetic Compatibility (EMC)</i>	EN 61326-1:2013-07 EN 61326-2-3:2013-07 EN 55011:2011-04
2014/34/EU	Druckgeräterichtlinie (DGRL) <sup>(1)</sup> <i>Pressure Equipment Directive (PED) <sup>(1)</sup></i>	

(1) PS ≥ 200 bar; Modul A, druckhaltendes Ausrüstteil  
*PS ≥ 200 bar; Module A, pressure accessory*

Unterszeichnet für und im Namen von / *Signed for and on behalf of*

**tecsis GmbH**

Offenbach, 2019-01-22

Stefan Richter, Managing Director

tecsis GmbH  
Carl-Legien-Str. 40 - 44  
63073 Offenbach am Main  
Germany

Tel. +49 69 5806-0  
Fax +49 69 5806-7788  
E-Mail info@tecsis.de  
www.tecsis.de

Ralf Both, Engineering Manager

Sitz Offenbach - Offenbach am Main  
Registernummer: HR B 40169  
Geschäftsführer: Stefan Richter u. Axel Kaltforn





tecsis subsidiaries worldwide can be found online at [www.tecsis.com](http://www.tecsis.com).  
WIKA subsidiaries worldwide can be found online at [www.wika.com](http://www.wika.com).

Manufacturer contact:



A division of the WIKA Group

**tecsis GmbH**

Carl-Legien-Str. 40-44  
63073 Offenbach am Main • Germany  
Tel. +49-69-5806-0  
Fax +49-69-5806-7788  
[info@tecsis.de](mailto:info@tecsis.de)  
[www.tecsis.com](http://www.tecsis.com)

Sales contact:



**WIKA Alexander Wiegand SE & Co. KG**

Alexander-Wiegand-Straße 30  
63911 Klingenberg • Germany  
Tel. +49 9372 132-0  
Fax +49 9372 132-406  
[info@wika.de](mailto:info@wika.de)  
[www.wika.de](http://www.wika.de)