

OBSOLETE

Operating instructions
Betriebsanleitung
Mode d'emploi

Pressure transmitter, model SL-1

EN

Druckmessumformer, Typ SL-1

DE

Transmetteur de pression, type SL-1

FR

CE



Pressure transmitter, model SL-1

WIKAI

Part of your business

Contents Page 3-15 EN

1. Important details for your information
2. A quick overview for you
3. Signs, symbols and abbreviations
4. Function
5. For your safety
6. Packaging
7. Starting, operation
8. Adjustment of zero point / span
9. Maintenance, accessories
10. Trouble shooting
11. Storage, disposal

Contenu Page 28-41 FR

1. Informations importantes
2. Aperçu rapide
3. Explication des symboles, abréviations
4. Fonction
5. Pour votre sécurité
6. Emballage
7. Mise en service, exploitation
8. Réglage du zéro / gain
9. Entretien, accessoires
10. Elimination de perturbations
11. Stockage, mise au rebut

Inhalt Seite 16-28 DE

1. Wichtiges zu Ihrer Information
2. Der schnelle Überblick für Sie
3. Zeichenerklärungen, Abkürzungen
4. Funktion
5. Zu Ihrer Sicherheit
6. Verpackung
7. Inbetriebnahme, Betrieb
8. Einstellung Nullpunkt / Spanne
9. Wartung, Zubehör
10. Störbeseitigung
11. Lagerung, Entsorgung

Current terms and conditions apply.
Details are available on www.wika.com.

Es gelten unsere aktuellen Verkaufs-
und Lieferbedingungen siehe unter
www.wika.de.

Toute commande est assujettie à nos
conditions de ventes et de fournitures dans
leur dernière version en vigueur, voir sous
www.wika.fr.

1. Important details for your information

Read these operating instructions before installing and starting the pressure transmitter. Keep the operating instructions in a place that is accessible to all users at any time.

The following installation and operating instructions have been compiled by us with great care but it is not feasible to take all possible applications into consideration. These installation and operation instructions should meet the needs of most pressure measurement applications. If questions remain regarding a specific application, you can obtain further information:

→ For contact details see the back page of the operating instructions.

With special model number, e.g. SL-10000, please note specifications in the delivery note. If the serial number and/or the 2D code on the hexagon gets illegible (e.g. by mechanical damage or repainting), the retraceability of the instrument is not possible any more.

WIKA pressure transmitters are carefully designed and manufactured using state-of-the-art technology. Every component undergoes strict quality and environmental inspection before assembly and each instrument is fully tested prior to shipment. Our environmental management system is certified to DIN EN ISO 14001.

Use of the product in accordance with the intended use SL-1:

Use the pressure transmitter to transform the pressure into an electrical signal.

Knowledge required

Install and start the pressure transmitter only if you are familiar with the relevant regulations and directives of your country and if you have the qualification required. You have to be acquainted with the rules and regulations on measurement and control technology and electric circuits.

Depending on the operating conditions of your application you have to have the corresponding knowledge, e.g. of aggressive media.

2. A quick overview for you

If you want to get a quick overview, read **Chapters 3, 5, 7 and 11**. There you will get some short safety instructions and important information on your product and its starting. **Read these chapters in any case.**

3. Signs, symbols and abbreviations



Potential danger of life or of severe injuries.



Potential danger of burns due to hot surfaces.



Notice, important information, malfunction.

The product complies with the applicable European directives.

2-wire Two connection lines are intended for the voltage supply.
The supply current is the measurement signal.

3-wire Two connection lines are intended for the voltage supply.
One connection line is intended for the measurement signal.

4. Function

The pressure prevailing within the application is transformed into a standardised electrical signal through the deflection of the diaphragm, which acts on the sensor element with the power supply fed to the transmitter. This electric signal changes in proportion to the pressure and can be evaluated correspondingly.

5. For your safety



- Select the appropriate pressure transmitter with regard to scale range, performance and specific measurement conditions prior to installing and starting the instrument.
- Observe the relevant national regulations and observe the applicable standards and directives for special applications.
If you do not observe the appropriate regulations, serious injuries and/or damage can occur!
- Please note that the pressure measuring instrument is suitable for clean, dry, non-aggressive gases only.
- Open pressure connections only after the system is without pressure!

**Warning**

- Please make sure that the pressure transmitter is only used within the overload threshold limit all the time!
 - Observe the ambient and working conditions outlined in section 7 „Technical data”.
- Ensure that the pressure transmitter is only operated in accordance with the provisions i.e. as described in the following instructions.
- Do not interfere with or change the pressure transmitter in any other way than described in these operating instructions.
 - Remove the pressure transmitter from service and mark it to prevent it from being used again accidentally, if it becomes damaged or unsafe for operation.
 - Take precautions with regard to remaining media in removed pressure transmitter. Remaining media in the pressure port may be hazardous or toxic!
 - Have repairs performed by the manufacturer only.

6. Packaging

Has everything been supplied?



Check the scope of supply:

- Completely assembled pressure transmitters
- Inspect the pressure transmitter for possible damage during transportation. Should there be any obvious damage, inform the transport company and WIKA without delay.
- Keep the packaging, as it offers optimal protection during transportation (e.g. changing installation location, shipment for repair).
 - Ensure that the pressure connection thread and the connection contacts will not be damaged.

7. Starting, operation



Required tools: wrench (flats 27), screw driver



Warning

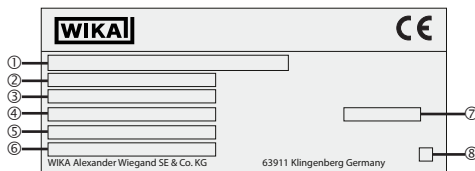
- Use the pressure transmitter only if it is in a faultless condition as far as the safety-relevant features are concerned.

Mechanical connection



Sealing

Product label (example)



- | | |
|------------------------------|--------------------------|
| ① Model | ⑤ S# Serial number |
| ② Measuring range | ⑥ P# Product number |
| ③ Signal \rightarrow | ⑦ Pin assignment |
| ④ Power supply \rightarrow | ⑧ Coded manufacture date |



- You have to provide for a sealing element; exceptions are instruments with self-sealing threads (e.g. NPT thread).
- Please refer to our data sheet “Pressure gauge sealing washers AC 09.08” in WIKA’s product catalog Pressure and Temperature Measurement or our website www.wika.de for details about sealing washers.
- When mounting the instrument, ensure that the sealing faces of the instrument and the measuring point are clean and undamaged.



- Screw in or unscrew the instrument only via the flats using a suitable tool and the prescribed torque. The appropriate torque depends on the dimension of the pressure connection and on the sealing element used (form/material). Do not use the case as working surface for screwing in or unscrewing the instrument.
- When screwing the transmitter in, ensure that the threads are not jammed.
- For tapped holes and welding sockets please see Technical Information IN 00.14 for download at www.wika.de

Electrical connection



- Connect the instrument to earth via the pressure connection.
- This equipment is intended for operation with low voltages which are separated from the AC 230 V (50 Hz) mains voltage or voltages greater than AC 50 V or DC 120 V for dry environments. A connection to an SELV circuit is recommended, or alternatively to circuits with a different protective measure in accordance with IEC 60364-4-41 installation standard.
- For use in North America: The power supply for the pressure transmitter must be made via an energy-limited electric circuit in accordance with section 9.4 of UL/EN/IEC 61010-1 or LPS per UL/EN/IEC 60950-1/CSA C22.2 no.60950-1 or class 2 per UL1310/UL1585 (NEC or CEC).
- Operate the pressure transmitter with a shielded cable and earth the shield at least on one side of the cable, if the cable is longer than 30 m or if it is run outside of the building.
- Ingress protection per IEC 60529 (The ingress protection classes specified only apply while the pressure transmitter is connected with female connectors that provide the corresponding ingress protection).
- Ensure that the cable diameter you select fits to the cable gland of the connector. Ensure that the cable gland of the mounted connector is positioned correctly and that the sealings are available and undamaged. Tighten the threaded connection and check the correct position of the sealings in order to ensure the ingress protection.
- Please make sure that the ends of cables with flying leads do not allow any ingress of moisture.



Power supply



Load (e.g. display)

UB+/Sig+

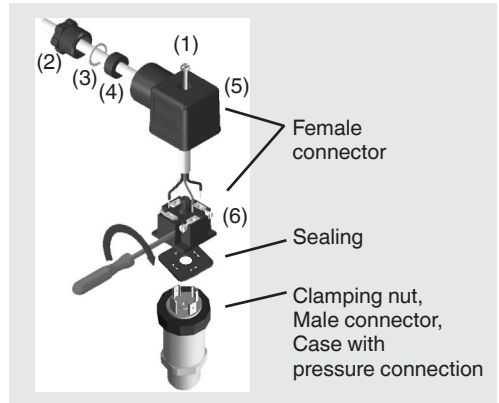
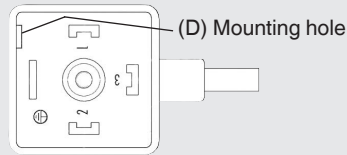
Positive supply / measurement connection

OV/Sig-

Negative supply / measurement connection

	2-wire	3-wire
L-Connector, DIN EN 175301-803, Form A for conductor cross section up to max. 1.5 mm ² , conductor outer diameter 6 to 8 mm IP65		
Circular connector M 12x1, IP67		
Flying leads with 1.5 m of cable, conductor cross section up to max. 0.5 mm ² , AWG 20 with end splices, conductor outer diameter 6.8 mm; cable screen: grey IP67		

Assembly of L-connector DIN EN 175301-803



1. Loosen the screw (1).
2. Loosen the cable gland (2).
3. Pull the angle housing (5), with the terminal block (6) inside, away from the instrument.
4. Using the head of a small screwdriver in the mounting hole (D), lever the terminal block (6) out of the angle housing (5).

In order not to damage the sealing of the angle housing, do not try to push the terminal block (6) out using the screw hole (1) or the cable gland (2).

5. Ensure that the conductor outer diameter you select is matched to the angle housing's cable gland. Slide the cable through the cable gland nut (2), washer (3), gland seal (4) and angle housing (5).
6. Connect the flying leads to the screw terminals on the terminal block (6) in accordance with the pin-assignment drawing.
7. Press the terminal block (6) back into the angle housing (5).
8. Tighten the cable gland (2) around the cable. Make sure that the sealing isn't damaged and that the cable gland and seals are assembled correctly in order to ensure ingress protection.
9. Place the flat, square gasket over the connection pins on the top of the instrument housing.
10. Slide the terminal block (6) onto the connection pins.
11. Secure the angle housing (5) and terminal block (6) to the instrument with the screw (1).

Specifications

Model SL-1

Pressure ranges	mbar	25	40	60
Over pressure safety	mbar	500	500	500
Pressure ranges	mbar	1000	1000	1000
Type of Pressure		Relative pressure		
Materials				
■ Wetted parts		Stainless steel, silicon, aluminium, gold, silicone		
■ Case		Stainless steel		
Power supply UB		DC 10 ... 30 V (DC 14 ... 30 V with signal output 0 ... 10 V)		
Signal output and maximum ohmic load RA	RA in Ohm	4 ... 20 mA, 2-wire {0 ... 5 V, 3-wire}	RA ≤ (UB – 10 V) / 0.02 A RA > 5000 RA > 10000	
		{0 ... 10 V, 3-wire}	{other signal output on request}	
Adjustability zero/span	%	± 5 using potentiometers inside the instrument		
Insulation voltage		DC 500 V		
Accuracy **)	% of span	≤ 0.5		
		**) Including non-linearity, hysteresis, zero point and full scale error (corresponds to error of measurement per IEC 61298-2). Adjusted in vertical mounting position with lower pressure connection.		
Non-linearity	% of span	≤ 0.2 (BFSL) according to IEC 61298-2		
Non-repeatability	% of span	≤ 0.1		
1-year stability	% of span	≤ 0.3 (at reference conditions)		
Permissible temperature of				
Medium		-30 ... +80 °C	-22 ... +176 °F	
Ambience		-20 ... +80 °C	-4 ... +176 °F	
Storage		-40 ... +80 °C	-40 ... +176 °F	
Rated temperature range		0 ... +80 °C	32 ... +176 °F	
Temperature coefficients within rated temperature range				
■ Mean TC of zero	% of span	25 mbar: 0.5 / 10 K	40 mbar: 0.4 / 10 K	60 mbar: 0.3 / 10 K
■ Mean TC of range	% of span	≤ 0.3 / 10 K		


Specifications **Model SL-1**

CE conformity		<ul style="list-style-type: none"> ■ EMC directive ¹⁾ EN 61326 emission (group 1, class B) and immunity (industrial application) ■ RoHS directive
Wiring protection		
<ul style="list-style-type: none"> ■ Short-circuit proofness ■ Reverse polarity protection 		Sig+ towards 0V/Sig- UB+ towards 0V/Sig-
Weight	kg	Approx. 0.3


{ } Items in curved brackets are optional extras for additional price.

1) The existence of strong electromagnetic fields in a frequency range of < 2.7 GHz can result in increased measured errors up to 1 % of span. Do not install the instruments in the vicinity of strong electromagnetic sources of interference (e.g. transmitting device, radio equipment), or use sheath current filters where applicable.

Declarations of conformity can be found online at www.wika.com

 When designing your plant, take into account that the stated values (e.g. burst pressure, over pressure safety) apply depending on the material, thread and sealing element used.

Functional test

 The output signal must be proportional to the pressure. If not, this might point to a damage of the diaphragm. In that case refer to chapter 10 „Troubleshooting“.



- Open pressure connections only after the system is without pressure!
- Observe the ambient and working conditions outlined in section 7 „Technical data“.
- Please make sure that the pressure transmitter is only used within the overload threshold limit at all times!



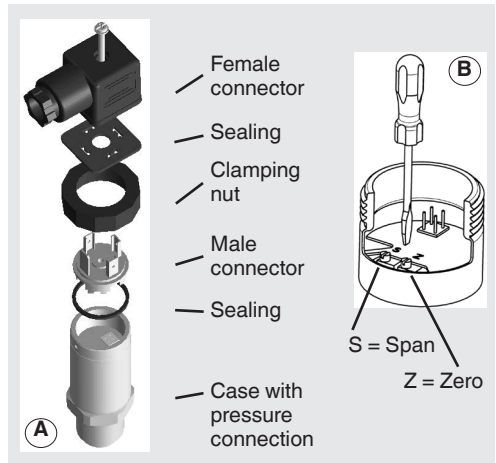
When touching the pressure transmitter, keep in mind that the surfaces of the instrument components might get hot during operation.

8. Adjustment of zero point / span (only for pressure transmitter with clamping nut)



We do not recommend to adjust the span potentiometer. It is used for adjustment ex factory and should not be adjusted by you unless you have adequate calibration equipment at your disposal (at least three times more accurate than the instrument being tested).

- Make sure wires are not cut or pinched during disassembly and reassembly of the connector.
- Remove the female connector. Open the pressure transmitter by detaching the clamping nut (see Fig. (A)). Carefully remove the male connector from the case.
- Adjust the zero point (Z) (see Fig. (B)) by generating the lower limit of the pressure range.
- Adjust the span (S) by generating the higher limit of the pressure range.
- Check the zero point.
- If the zero point is incorrect, repeat procedure as required.
- Reassemble the instrument carefully.
- Make sure all sealings and o-rings are not damaged and correctly installed to assure the rated moisture ingress protection.



Recommended recalibration cycle: 1 year

9. Maintenance



- WIKA pressure transmitters require no maintenance.
- Have repairs performed by the manufacturer only.

10. Trouble shooting



Warning

Open pressure connections only after the system is without pressure!



Warning

- Take precautions with regard to remaining media in removed pressure transmitters. Remaining media in the pressure port may be hazardous or toxic!
- Remove the pressure transmitter from service and mark it to prevent it from being used again accidentally, if it becomes damaged or unsafe for operation.
- Have repairs performed by the manufacturer only.



- Do not insert any pointed or hard objects into the pressure port for cleaning to prevent damage to the diaphragm of the pressure connection.
- Do not clean the pressure port with liquids or compressed air!

Please verify in advance if pressure is being applied (valves/ ball valve etc. open) and if the right voltage supply and the right type of wiring (2-wire/ 3-wire) has been chosen?

Failure	Possible cause	Procedure
No output signal	No/incorrect voltage supply or current spike	Adjust the voltage supply to correspond with the Operating Instructions *)
	Cable break	Check connections and cable
No/False output signal	Incorrectly wired (e.g. Connected as 2-wire instead of 3-wire system)	Follow pin assignment (see Instrument Label / Operating Instructions)
Abnormal output signal	Span incorrectly adjusted	Use appropriate reference
	Zero point set wrongly	Use correct calibration equipment (at least 3x the accuracy of the quoted accuracy)
Output signal unchanged after change in pressure	Mechanical overload through overpressure	Replace instrument; if failure reoccurs, consult the manufacturer *)
	Wrong supply voltage or current spike	Replace instrument
Signal span too small	Power supply too high/too low	Correct the power supply in line with the Operating Instructions
Signal span drops off	Moisture present (e.g. at the cable tail)	Install the cable correctly
Signal span erratic	Electromagnetic interference source in the vicinity, e.g. inverter drive	Shield the device; shield the cables; remove the interference source.
	Instrument not grounded	Ground instrument
	Strong fluctuations in the power supply	Stabilise the power supply; smooth it (i.e.; remove interferences)

In case of unjustified reclamation we charge the reclamation handling expenses.

- *) Make sure that after the setting the unit is working properly. In case the error continues to exist send in the instrument for reparation (or replace the unit).

If the problem persists, contact our sales department.

USA, Canada

If the problem continues, contact WIKA or an authorized agent for assistance. If the pressure transmitter must be returned obtain an RMA (return material authorization) number and shipping instructions from the place of purchase. Be sure to include detailed information about the problem. Pressure transmitters received by WIKA without a valid RMA number will not be accepted.

Process material certificate (Contamination declaration for returned goods)

Clean dismantled instruments before returning them in order to protect our employees and the environment from any hazard caused by adherent remaining media.

Service of instruments can only take place safely when a Product Return Form has been submitted and fully filled-in. This Return Form contains information on all materials with which the instrument has come into contact, either through installation, test purposes, or cleaning. You can find the Product Return Form on our internet site (www.wika.de / www.wika.com).

11. Storage, disposal



When storing or disposing of the pressure transmitter, take precautions with regard to remaining media in removed pressure transmitters. We recommend cleaning the transmitter properly and carefully. Remaining media in the pressure port may be hazardous or toxic!

Disposal



Dispose of instrument components and packaging materials in accordance with the respective waste treatment and disposal regulations of the region or country to which the instrument is supplied.

WIKA reserves the right to alter these technical specifications.



Do not dispose of with household waste. Ensure a proper disposal in accordance with national regulations.

1. Wichtiges zu Ihrer Information

Lesen Sie diese Betriebsanleitung vor Montage und Inbetriebnahme des Druckmessgerätes. Bewahren Sie die Betriebsanleitung an einem für alle Benutzer jederzeit zugänglichen Ort auf. Die nachfolgenden Einbau- und Betriebshinweise haben wir mit Sorgfalt zusammengestellt. Es ist jedoch nicht möglich, alle erdenklichen Anwendungsfälle zu berücksichtigen. Sollten Sie Hinweise für Ihre spezielle Aufgabenstellung vermissen, können Sie hier weitere Informationen finden:

→ Kontaktdaten siehe Rückseite der Betriebsanleitung.

Bei Sondertypennummer, z.B. SL-10000 beachten Sie die Spezifikationen gemäß Lieferschein. Wird die Seriennummer und/oder der 2D-Code auf dem Sechskant unleserlich (z. B. durch mechanische Beschädigung oder Übermalen), ist eine Rückverfolgbarkeit nicht mehr möglich. Die in der Betriebsanleitung beschriebenen WIKA-Druckmessgeräte werden nach den neuesten Erkenntnissen konstruiert und gefertigt. Alle Komponenten unterliegen während der Fertigung strengen Qualitäts- und Umweltkriterien. Unser Umweltmanagementsystem ist nach DIN EN ISO 14001 zertifiziert.

Bestimmungsgemäße Produktverwendung SL-1:

Verwenden Sie den Druckmessumformer, um Druck in ein elektrisches Signal zu wandeln.

Ihre erforderlichen Kenntnisse

Montieren und nehmen Sie das Druckmessgerät nur in Betrieb, wenn Sie mit den zutreffenden landesspezifischen Richtlinien vertraut sind und die entsprechende Qualifikation besitzen. Sie müssen mit den Kenntnissen von Mess- und Regeltechnik sowie elektrischen Stromkreisen vertraut sein. Je nach Einsatzbedingung müssen Sie über entsprechendes Wissen verfügen, z. B. über aggressive Medien.

2. Der schnelle Überblick für Sie

Wollen Sie sich einen schnellen Überblick verschaffen, lesen Sie **Kapitel 3, 5, 7 und 11**. Dort erhalten Sie kurze Hinweise zu Ihrer Sicherheit und wichtige Informationen über Ihr Produkt und zur Inbetriebnahme. **Lesen Sie diese unbedingt.**

3. Zeichenerklärungen, Abkürzungen



Mögliche Gefahr für Ihr Leben oder schwerer Verletzungen.



Mögliche Gefahr von Verbrennungen durch heiße Oberflächen.



Hinweis, wichtige Information, Funktionsstörung.

Das Produkt stimmt mit den zutreffenden europäischen Richtlinien überein.

2-Leiter Zwei Anschlussleitungen dienen zur Spannungsversorgung.
Der Speisestrom ist das Mess-Signal.

3-Leiter Zwei Anschlussleitungen dienen zur Spannungsversorgung.
Eine Anschlussleitung dient für das Mess-Signal.

4. Funktion

Mittels Sensorelement und unter Zuführung von Hilfsenergie wird über die Verformung einer Membran der anstehende Druck in Ihrer Anwendung in ein verstärktes standardisiertes elektrisches Signal umgewandelt. Dieses elektrische Signal verändert sich proportional zum Druck und kann entsprechend ausgewertet werden.

5. Zu Ihrer Sicherheit



- Wählen Sie das richtige Druckmessgerät hinsichtlich Messbereich, Ausführung und spezifischen Messbedingungen vor Montage oder Inbetriebnahme.
- Halten Sie die entsprechenden landesspezifischen Vorschriften ein und beachten Sie bei speziellen Anwendungen die geltenden Normen und Richtlinien.

Wenn Sie die entsprechenden Vorschriften nicht beachten, können schwere Körperverletzungen und Sachschäden entstehen!

- Bitte beachten Sie, dass das Druckmessgerät nur für saubere, trockene, nicht aggressive Gase geeignet ist.
- Öffnen Sie Anschlüsse nur im drucklosen Zustand!
- Betreiben Sie das Druckmessgerät immer innerhalb des Überlastgrenzbereiches!
- Beachten Sie die Betriebsparameter gemäß Punkt 7 „Technische Daten“.

**Warnung**

- Stellen Sie sicher, dass das Druckmessgerät nur bestimmungsgemäß -also wie in der folgenden Anleitung beschrieben- betrieben wird.
- Unterlassen Sie unzulässige Eingriffe und Änderungen am Druckmessgerät, welche nicht in dieser Betriebsanleitung beschrieben sind.
- Setzen Sie das Druckmessgerät außer Betrieb und schützen Sie es gegen versehentliche Inbetriebnahme, wenn Sie Störungen nicht beseitigen können.
- Ergreifen Sie Vorsichtsmaßnahmen für Messstoffreste in ausgebauten Druckmessgeräten. Messstoffreste können zur Gefährdung von Menschen, Umwelt und Einrichtung führen!
- Lassen Sie Reparaturen nur vom Hersteller durchführen

6. Verpackung

Wurde alles geliefert?



Überprüfen Sie den Lieferumfang: Komplett montierte Druckmessgeräte

- Untersuchen Sie das Druckmessgerät auf eventuell entstandene Transportschäden. Sind offensichtlich Schäden vorhanden, teilen Sie dies dem Transportunternehmen und WIKA unverzüglich mit.
- Bewahren Sie die Verpackung auf, denn diese bietet bei einem Transport einen optimalen Schutz (z. B. wechselnder Einbauort, Reparatursendung).
- Achten Sie darauf, dass das Druckanschluss-Gewinde und die Anschlusskontakte nicht beschädigt werden.

7. Inbetriebnahme, Betrieb



Benötigtes Werkzeug: Maulschlüssel SW 27, Schraubendreher

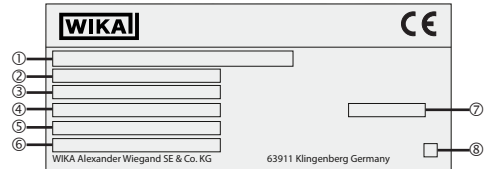
**Warnung**

- Setzen Sie das Druckmessgerät nur in sicherheitstechnisch einwandfreiem Zustand ein.

Montage mechanischer Anschluss



Typenschild (Beispiel)



- | | |
|-------------------------------------|-------------------------------|
| ① Typ | ⑤ S# Seriennummer |
| ② Messbereich | ⑥ P# Erzeugnisnummer |
| ③ Signal \rightarrow | ⑦ Anschlussbelegung |
| ④ Spannungsversorgung \rightarrow | ⑧ Codiertes Herstellungsdatum |



- Sie müssen eine Dichtung vorsehen; Ausnahme sind Geräte mit selbstdichtendem Gewinde (z. B. NPT-Gewinde).
- Hinweise zu Dichtungen entnehmen Sie bitte unserer Information “Zubehör Dichtungen AC 09.08” im Gesamtkatalog Druck- und Temperaturmesstechnik oder unserer Internetseite unter www.wika.de.
- Achten Sie bei der Montage auf saubere und unbeschädigte Dichtflächen am Gerät und Messstelle.



- Schrauben Sie das Gerät nur über die Schlüsselflächen mit einem geeigneten Werkzeug und dem vorgeschriebenen Drehmoment ein bzw. aus. Das richtige Drehmoment ist abhängig von der Dimension des Druckanschlusses sowie der verwendeten Dichtung (Form/Werkstoff). Verwenden Sie zum Ein- bzw. Ausschrauben nicht das Gehäuse als Angriffsfläche.
- Beachten Sie beim Einschrauben, dass die Gewingegänge nicht verkantet werden.
- Angaben zu Einschraublöchern und Einschweißstutzen entnehmen Sie bitte unserer Technischen Information IN 00.14 unter www.wika.de

Montage elektrischer Anschluss



- Erden Sie das Gerät über den Druckanschluss.
- Dies ist ein Betriebsmittel zum Betrieb mit Kleinspannungen, die von der Netzspannung AC 230 V (50Hz) - oder Spannungen größer AC 50 V bzw. DC 120 V für trockene Umgebungen - getrennt sind. Empfohlen ist ein Anschluss an einen SELV-Stromkreis oder alternativ an Stromkreise mit einer anderen Schutzmaßnahme nach der Installationsnorm IEC 60364-4-41.
- Für den Einsatz in Nordamerika: Die Versorgung des Druckmessumformers muss durch einen energiebegrenzten Stromkreis gemäß 9.4 der UL/EN/IEC 61010-1 oder LPS gemäß UL/EN/IEC 60950-1/CSA C22.2 No.60950-1 oder Class 2 gemäß UL1310/UL1585 (NEC oder CEC) erfolgen.
- Betreiben Sie den Druckmessumformer mit geschirmter Leitung und erden Sie den Schirm auf mindestens einer Leitungsseite, wenn die Leitungen länger als 30 m sind oder das Gebäude verlassen.
- Schutzart IP nach IEC 60 529 (Die angegebenen Schutzarten gelten nur im gesteckten Zustand mit Leitungsteckern (Buchsen) entsprechender Schutzart).
- Wählen Sie den Kabeldurchmesser passend zur Kabeldurchführung des Steckers. Achten Sie darauf, dass die Kabelverschraubung des montierten Steckers korrekt sitzt und dass die Dichtungen vorhanden und nicht beschädigt sind. Ziehen Sie die Verschraubung fest und überprüfen Sie den korrekten Sitz der Dichtungen, um die Schutzart zu gewährleisten.
- Stellen Sie bei Kabelausgängen sicher, dass am Ende des Kabels keine Feuchtigkeit eintritt.



Spannungsvorsorgung



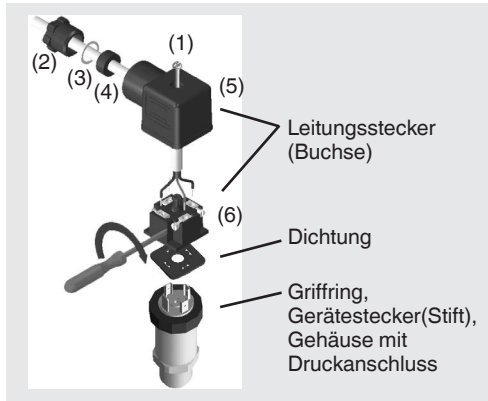
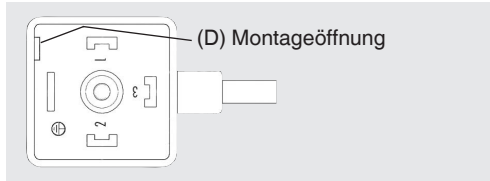
Verbraucher

UB+/Sig+
OV/Sig-

Positiver Versorgungs- / Messanschluss
Negativer Versorgungs- / Messanschluss

	2-Leiter	3-Leiter
<p>Winkelsteckverbinder DIN 175301-803, Form A für Leitungsquerschnitt bis max. 1,5 mm², Leitungsaußen- durchmesser 6 - 8 mm IP65</p>		
<p>Rundsteckverbinder M 12x1, IP67</p>		
<p>Kabelausgang mit 1,5 m Länge, Leitungsquerschnitt 0,5 mm², AWG 20 mit Aderendhülsen, Leitungsaußendurchmesser 6,8 mm; Kabelschirm: grau IP67</p>		

Montage des Winkelsteckverbinder nach DIN EN 175301-803



1. Lösen Sie die Schraube (1).
2. Lösen Sie die Kabelverschraubung (2).
3. Ziehen Sie Winkelgehäuse (5) mit Klemmblock (6) vom Gerät ab.
4. Hebeln Sie mit dem Schraubendreher in die Montageöffnung (D), so dass Sie den Klemmblock (6) aus dem Winkelgehäuse (5) herausdrücken. Drücken Sie nicht den Klemmblock (6) durch die Schraubenöffnung (1) bzw. Kabelverschraubung (2) heraus, sonst beschädigen Sie die Dichtungen des Winkelgehäuses.
5. Wählen Sie den Leitungsaußendurchmesser passend zur Kabeldurchführung des Winkelgehäuses. Schieben Sie das Kabel durch Kabelverschraubung (2), Ring (3), Dichtung (4) und Winkelgehäuse (5).
6. Schließen Sie die Kabelenden entsprechend der Belegungszeichnung in den Anschlußklemmen des Klemmblocks (6) an.
7. Drücken Sie das Winkelgehäuse (5) auf den Klemmblock (6).
8. Verschrauben Sie das Kabel mit der Kabelverschraubung (2). Achten Sie darauf, dass die Dichtungen unbeschädigt sind und Kabelverschraubung und Dichtungen korrekt sitzen, um die Schutzart zu gewährleisten.
9. Legen Sie die quadratische Flachdichtung über die Anschlußpins im Gehäuse.
10. Schieben Sie den Klemmblock (6) auf die Anschlußpins im Gehäuse.
11. Verschrauben Sie mit der Schraube (1) das Winkelgehäuse (5) mit dem Klemmblock (6) im Gerät.

Technische Daten Typ SL-1

Messbereich	mbar	25	40	60
Überlastgrenze	mbar	500	500	500
Berstdruck	mbar	1000	1000	1000
		Relativdruck		
Werkstoff				
<ul style="list-style-type: none"> ■ Messstoffberührte Teile ■ Gehäuse 		CrNi-Stahl, Silizium, Aluminium, Gold, Silikon		
		CrNi-Stahl		
Hilfsenergie UB		DC 10 ... 30 V (DC 14 ... 30 V bei Ausgang 0 ... 10 V)		
Ausgangssignal und zulässige	RA in Ohm	4 ... 20 mA, 2-Leiter		RA ≤ (UB - 10 V) / 0,02 A
Max. ohmsche Bürde RA		{0 ... 5 V, 3-Leiter}		RA > 5.000
		{0 ... 10 V, 3-Leiter}		RA > 10.000
		{andere Ausgangssignale auf Anfrage}		
Einstellbarkeit Nullpunkt/Spanne	%	± 5 durch Potentiometer im Gerät		
Isolationsspannung		DC 500 V		
Genauigkeit **)	% d. Spanne	≤ 0,5		
		**) Einschließlich Nichtlinearität, Hysterese, Nullpunkt- und Endwertabweichung (entspricht Messabweichung nach IEC 61298-2). Kalibriert bei senkrechter Einbaulage Druckanschluss nach unten.		
Nichtlinearität	% d. Spanne	≤ 0,2 (BFSL) nach IEC 61298-2		
Nichtwiederholbarkeit	% d. Spanne	≤ 0,1		
Stabilität pro Jahr	% d. Spanne	≤ 0,3 (bei Referenzbedingungen)		
Zulässige Temperaturbereiche				
Messstoff	°C	-30 ... +80		
Umgebung	°C	-20 ... +80		
Lagerung	°C	-40 ... +80		
Nenntemperaturbereich	°C	0 ... +80		
Temperaturkoeffizienten im Nenntemperaturbereich				
<ul style="list-style-type: none"> ■ Mittlerer TK des Nullpunktes ■ Mittlerer TK der Spanne 	% d. Spanne	25 mbar: 0,5 / 10 K	40 mbar: 0,4 / 10 K	60 mbar: 0,3 / 10 K
	% d. Spanne	≤ 0,3 / 10 K		

Technische Daten Typ SL-1

CE-Konformität		<ul style="list-style-type: none"> ■ EMV-Richtlinie ¹⁾ EN 61326 Emission (Gruppe 1, Klasse B) und Störfestigkeit (industrieller Bereich) ■ RoHS-Richtlinie
Elektrische Schutzarten		
<ul style="list-style-type: none"> ■ Kurzschlussfestigkeit ■ Verpolschutz 		Sig+ gegen 0V/Sig- UB+ gegen 0V/Sig-
Masse	kg	Ca. 0,3

{ } Angaben in geschweiften Klammern beschreiben gegen Mehrpreis lieferbare Sonderheiten.

1) Bei Vorhandensein von starken elektromagnetischen Feldern im Frequenzbereich < 2,7 GHz, kann es zu erhöhten Messfehlern bis zu 1 % kommen. Die Geräte nicht in der Nähe von starken elektromagnetischen Störquellen installieren (z. B. Sendegeräte, Funkanlagen) oder ggf. Mantelstromfilter einsetzen.

Konformitätserklärungen finden Sie online unter www.wika.de



Beachten Sie bei der Auslegung Ihrer Anlage, dass die angegebenen Werte (z. B. Berstdruck, Überlastgrenze) in Abhängigkeit vom verwendeten Material, Gewinde und Dichtung gelten.

Funktionsprüfung



Das Ausgangssignal muss sich dem anstehenden Druck proportional verhalten. Wenn dies nicht so ist, kann das ein Hinweis auf eine Beschädigung der Membran sein. Lesen Sie in diesem Fall in Kapitel 10 „Störbeseitigung“ nach.



Warnung

- Öffnen Sie Anschlüsse nur im drucklosen Zustand!
- Beachten Sie die Betriebsparameter gemäß Punkt 7 „Technische Daten“.
- Betreiben Sie das Druckmessgerät immer innerhalb des Überlastgrenzbereichs!



Vorsicht

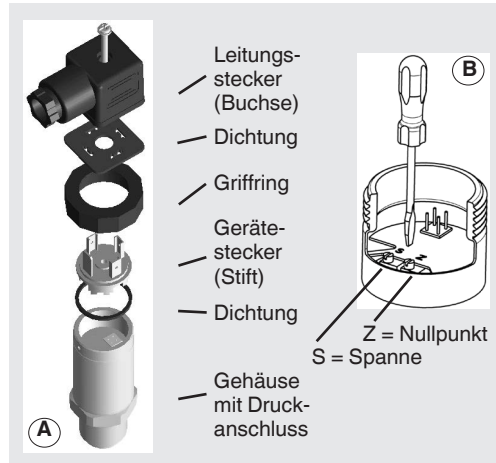
Beachten Sie beim Berühren des Druckmessgerätes, dass die Oberflächen der Gerätekomponenten während des Betriebes heiß werden können.

8. Einstellung Nullpunkt / Spanne (nur bei Geräten mit Griffing)



Wir empfehlen Ihnen, das Spannepotentiometer nicht zu verstellen. Es dient zur werkseitigen Justage und sollte nur von Ihnen verstellt werden, wenn Sie über die ausreichende Kalibrierungsausrüstung (mindestens 3x genauer als die angegebene Genauigkeit) verfügen.

- Achten Sie bei der Steckerdemontage /-montage darauf, dass keine Litzen abgerissen bzw. eingequetscht werden.
- Ziehen Sie den Leitungsstecker (Buchse) ab. Öffnen Sie das Druckmessgerät, indem Sie den Griffing lösen (siehe Abbildung (A)). Ziehen Sie vorsichtig den Gerätestecker (Stift) aus dem Gehäuse.
- Stellen Sie den Nullpunkt (Z) ein (siehe Abbildung (B)), indem Sie den Druckanfangswert anfahren.
- Stellen Sie die Spanne (S) ein, indem Sie den Druckendwert anfahren.
- Überprüfen Sie den Nullpunkt.
- Wenn der Nullpunkt nicht stimmt ggf. Prozedur wiederholen.
- Schließen Sie das Druckmessgerät wieder sorgfältig. Achten Sie darauf, dass die Dichtungen unbeschädigt und sauber sind und auf die korrekte Lage der Dichtungen, um die Schutzart zu gewährleisten.



Empfohlener Nachkalibrier-Zyklus: 1 Jahr

9. Wartung



- WIKA Druckmessgeräte sind wartungsfrei.
- Lassen Sie Reparaturen nur vom Hersteller durchführen.

10. Störbeseitigung



Öffnen Sie Anschlüsse nur im drucklosen Zustand!



- Ergreifen Sie Vorsichtsmaßnahmen für Messstoffreste in ausgebauten Druckmessgeräten. Messstoffreste können zur Gefährdung von Menschen, Umwelt und Einrichtung führen!
- Setzen Sie das Druckmessgerät außer Betrieb und schützen Sie es gegen versehentliche Inbetriebnahme, wenn Sie Störungen nicht beseitigen können.
- Lassen Sie Reparaturen nur vom Hersteller durchführen.



- Verwenden Sie keine spitzen bzw. harten Gegenstände zur Reinigung, denn die Membran des Druckanschlusses darf nicht beschädigt werden.
- Reinigen Sie den Druckkanal nicht mit Flüssigkeiten oder Druckluft!

Prüfen Sie bitte vorab, ob Druck ansteht (Ventile/Kugelhahn usw. offen) und ob Sie die richtige Spannungsversorgung und die richtige Verdrahtungsart (2-Leiter/3-Leiter) gewählt haben.

Störung	Mögliche Ursache	Maßnahme
Kein Ausgangssignal	Keine/Falsche Versorgungsspannung oder Stromstoß	Versorgungsspannung gemäß Betriebsanleitung korrigieren *)
	Leitungsbruch	Durchgang überprüfen
Kein/Falsches Ausgangssignal	Verdrahtungsfehler (z. B. 2-Leiter als 3-Leiter verdrahtet)	Anschlussbelegung beachten (siehe Typenschild / Betriebsanleitung)
Abweichendes Ausgangssignal	Bei Justage Spanne verstellt	Geeignete Referenz benutzen
	Nullpunkt verstellt	Ausreichende Kalibrierung benutzen (mindestens 3x genauer als angegebene Genauigkeit)
Gleichbleibendes Ausgangssignal bei Druckänderung	Mechanische Überlastung durch Überdruck	Gerät austauschen; bei wiederholtem Ausfall Rücksprache mit Hersteller *)
	Falsche Versorgungsspannung oder Stromstoß	Gerät austauschen
Signalspanne zu klein	Versorgungsspannung zu hoch/niedrig	Versorgungsspannung gemäß Betriebsanleitung korrigieren
Signalspanne fällt ab	Feuchtigkeit eingetreten (z. B. am Kabelende)	Kabel korrekt montieren
Signalspanne schwankend	EMV-Störquellen in Umgebung, z. B. Frequenzumrichter	Gerät abschirmen; Leitungsabschirmung; Störquelle entfernen
	Gerät nicht geerdet	Gerät erden

Im unberechtigtem Reklamationsfall berechnen wir die Reklamationsbearbeitungs-Kosten.

*) Überprüfen Sie nach dem Justieren die korrekte Arbeitsweise des Systems. Besteht der Fehler weiterhin, senden Sie das Gerät zur Reparatur ein (oder tauschen Sie das Gerät aus).

Wenn das Problem bestehen bleibt, setzen Sie sich mit unserem Vertriebsmitarbeiter in Verbindung.

Prozess Material Zertifikat (Kontaminationserklärung im Servicefall)

Säubern Sie ausgebaute Geräte vor der Rücksendung, um unsere Mitarbeiter und die Umwelt vor Gefährdung durch anhaftende Messstoffreste zu schützen.

Eine Überprüfung ausgefallener Geräte kann nur sicher erfolgen, wenn das vollständig ausgefüllte Rücksendeformular vorliegt.

Eine solche Erklärung beinhaltet alle Materialien, welche mit dem Gerät in Berührung kamen, auch solche, die zu Testzwecken, zum Betrieb oder zur Reinigung eingesetzt wurden. Das Rücksendeformular ist über unsere Internet-Adresse (www.wika.de / www.wika.com) verfügbar.

11. Lagerung, Entsorgung



Ergreifen Sie bei Lagerung und Entsorgung Vorsichtsmaßnahmen für Messstoffreste in ausgebauten Druckmessgeräten. Wir empfehlen eine geeignete und sorgfältige Reinigung. Messstoffreste können zur Gefährdung von Menschen, Umwelt und Einrichtung führen!

Entsorgung



Entsorgen Sie Gerätekomponenten und Verpackungsmaterialien entsprechend den einschlägigen landesspezifischen Abfallbehandlungs- und Entsorgungsvorschriften des Anliefergebietes.

Technische Änderungen vorbehalten.



Nicht mit dem Hausmüll entsorgen. Für eine geordnete Entsorgung gemäß nationaler Vorgaben sorgen.

1. Informations importantes

Veillez lire ce mode d'emploi avant le montage et la mise en service de transmetteur de pression. Conservez ce mode d'emploi dans un endroit accessible en tout temps pour tous les utilisateurs. Les instructions de montage et de service présentées ci-après ont été établi avec grand soin. Il reste toutefois impossible d'envisager tous les cas d'applications possibles. Dans le cas où vous constateriez des lacunes dans ces instructions pour les tâches spéciales qu'il vous faut exécuter, vous avez la possibilité de recevoir des compléments d'informations:

→ Pour le détail des contacts voir au dos du mode d'emploi.

Pour les modèles avec numéros spéciaux comme par exemple SL-10000 veuillez prendre en considération les spécifications selon le bordereau de livraison.

Si le numéro de série et/ou la codification 2D sur l'hexagone du raccord n'est (ne sont) plus lisible (s) (par exemple par endommagement mécanique ou si le numéro est recouvert de peinture), la traçabilité n'est plus assurée.

La conception et la fabrication des transmetteurs de mesure WIKA, tels que décrits dans les instructions de service, satisfont aux toutes dernières règles de l'art. Tous les composants sont soumis à un contrôle strict des critères de qualité et d'environnement en cours de fabrication. Notre système de gestion de l'environnement est certifié selon DIN EN ISO 14001.

Définition conforme d'utilisation du produit SL-1

Utilisez le transmetteur de pression afin de transformer la pression en signal électrique.

Vos connaissances nécessaires

N'installez et ne mettez en service le transmetteur de pression que si vous avez les connaissances exactes des directives spécifiques nationales et si vous êtes en possession de la qualification en rapport. Vous devez posséder des connaissances des prescriptions pour la technique de mesure et régulation et des circuits électriques étant donné. Suivant les conditions d'utilisation vous devez disposer de connaissances particulières, par exemple sur les fluides agressifs.

2. Aperçu rapide

Si vous voulez vous procurer un résumé rapide, veuillez lire les **chapitres 3, 5, 7 et 11**. Là vous trouverez des indications concernant votre sécurité et des informations importantes sur votre produit et sa mise en service. Veuillez absolument en prendre connaissance.

3. Explication des symboles, abréviations



Avvertissement

Risque de danger de mort ou de blessures graves.



Remarques, informations importantes, dérangement de fonction.



Possibilité de danger de brûlures par surfaces brûlantes.



Ce produit est conforme aux directives européennes correspondantes.

Attention

- 2-fils Deux conducteurs servent à l'alimentation.
Le courant de l'alimentation est le signal de mesure.
- 3-fils Deux conducteurs servent à l'alimentation.
Un conducteur sert au signal de mesure.

4. Fonction

A l'aide d'un capteur et sous alimentation électrique, on obtient la transformation en un signal amplifié, normalisé et électrique de la pression appliquée, par la déformation d'une membrane. Ce signal électrique varie proportionnellement par rapport à la pression et peut être exploité en rapport.

5. Pour votre sécurité



Avertissement

- Choisissez le transmetteur de pression adéquat, avant le montage et la mise en service, en rapport à l'étendue de mesure, l'exécution et les conditions de mesure spécifiques
- Respectez les prescriptions de sécurité nationales et observez lors d'applications spéciales les normes et règlements en rigueur. Si vous ne respectez pas les prescriptions correspondantes, de graves lésions corporelles et dégâts matériels peuvent en résulter!
- Veuillez prendre en considération que l'appareil de mesure de pression n'est approprié que pour des gaz propres, secs et non agressifs.
- N'ouvrez les raccords que hors pression!
- N'utilisez le transmetteur de pression qu'à l'intérieur de la zone limite!
- Prenez en considération les paramètres de service selon le chapitre 7 „Caractéristiques techniques”.
- Assurez-vous que le transmetteur de pression ne soit utilisé qu'en accord avec le règlement, c'est-à-dire comme décrit dans la directive suivante.
- Abstenez-vous d'effectuer des empiétements et changements inadmissibles sur le transmetteur de pression n'étant pas décrits dans le mode d'emploi.
- Si vous ne pouvez pas éliminer des dérangements sur le transmetteur de pression, mettez celui-ci hors service et protégez le contre une remise en service par inadvertance.
- Prenez des mesures de sécurité pour les restes de fluides se trouvant dans les transmetteurs de pression démontés. Ces restes de fluides peuvent mettre en danger les personnes, l'environnement ainsi que l'installation!
- Ne faites effectuer les réparations que par le fabricant.

6. Emballage

Est-ce que la livraison est complète ?



Contrôlez le volume de la livraison:

- Transmetteurs de pression complets
- Examinez le transmetteur de pression en vue de dommages éventuels résultant du transport. Si des dommages sont évidents, veuillez en informer immédiatement l'entreprise de transport et WIKA.
- Conservez l'emballage, celui-ci offre lors d'un transport une protection optimale (par exemple changement du lieu d'utilisation, renvoi pour réparation).
- Veillez à ce que le filetage du raccord pression ainsi que les contacts de branchement ne soient pas détériorés.

7. Mise en service, exploitation



Outillage nécessaire: clé à fourche de 27, tournevis

Pour votre sécurité contrôler la membrane

Il est nécessaire que, avant la mise en service de transmetteur de pression, vous contrôlez la membrane, car celle-ci est une **pièce élémentaire de sécurité**.



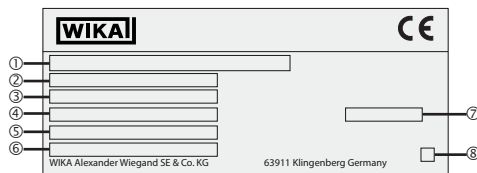
Avertissement

- N'utilisez le transmetteur de pression que si la membrane est intacte.
- Utilisez le transmetteur de pression uniquement s'il est dans un état parfait quant à la sécurité technique.

Montage du raccord



Plaque de fabrication (exemple)



- | | |
|----------------------|------------------------------|
| ① Type | ⑤ S# No Série |
| ② Etendue de mesure | ⑥ P# Code Article |
| ③ Signal de sortie → | ⑦ Position des connexions |
| ④ Alimentation ← | ⑧ Date de fabrication (Code) |



- N'enlevez le capuchon de protection que juste avant le montage et faites absolument attention à ne pas endommager la membrane lors du montage.
- Veuillez prévoir un joint; à l'exception des appareils avec filetage autoétanchéifiant (par exemple filetage NPT).



- Les renseignements concernant les joints figurent dans notre information "accessoires joints AC 09.08" dans le Catalogue Général Mesure de Pression et Température ou sur notre site internet www.wika.de
- Veuillez faire attention lors du montage à ce que les surfaces d'étanchéité de l'appareil et du point de mesure ne soient pas détériorées ou malpropres.
- Serrez ou desserrez l'appareil uniquement par l'intermédiaire des surfaces pour clés à l'aide d'un outil approprié en respectant le couple de serrage. Le couple de serrage correct dépend de la dimension du raccord de pression ainsi que du joint utilisé (forme / matière). Pour visser ou dévisser l'appareil, n'utilisez pas le boîtier en tant que surface d'attaque.
- Prenez garde lors du vissage de l'appareil, que le pas de vis ne se coince pas.
- Pour les taraudages et les embases à souder voir Information Technique IN 00.14 sous www.wika.de

Montage branchement électrique



- Veuillez mettre l'appareil à la terre par l'intermédiaire du raccord pression.
- Cet équipement est prévu pour fonctionner avec des tensions faibles, qui sont séparées de l'alimentation secteur 230 VAC (50 Hz) ou de tensions supérieures à 50 VAC ou 120 VDC pour des environnements secs. Une connexion à un circuit SELV est recommandée, ou à des circuits avec une mesure de protection différente selon la norme d'installation CEI 60364-4-41.
- Pour une utilisation en Amérique du Nord : L'alimentation électrique pour le transmetteur de pression doit être effectuée au moyen d'un circuit électrique limité en énergie en conformité avec la section 9.4 de UL/EN/CEI 61010-1 ou un LPS selon UL/EN/CEI 60950-1/CSA C22.2 n° 60950-1 ou classe 2 en conformité avec UL1310/UL1585 (NEC ou CEC).
- Utilisez le transducteur de pression avec un câble blindé et mettez-le à la terre au moins d'un côté si la longueur du câble dépasse 30 m ou si vous sortez le câble d'un bâtiment.
- Protection IPselon IEC 60 529 (les degrés de protection indiqués ne sont valables que pour les connecteurs enfichés avec connecteurs femelles possédant l'indice de protection correspondant).
- Choisissez le diamètre du câble en rapport au presse étoupe du connecteur. Faites attention à ce que le serre-câble du connecteur assemblé soit bien positionné et que les joints soient tous présents et non endommagés. Serrez les raccords à fond et contrôlez la position correcte des joints afin d'assurer l'indice de protection.
- En cas d'utilisation de sorties par câble, veuillez vous assurer qu'aucune humidité ne puisse entrer à la sortie du câble.



Alimentation

Recépteur

UB+/Sig+

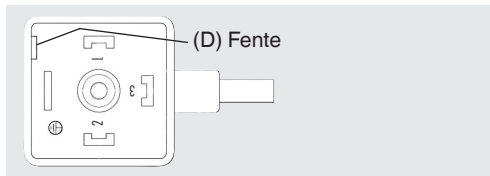
OV/Sig-

Alimentation positive/ raccord mesure

Alimentation négative/raccord mesure

	2-fils	3-fils
<p>Connecteur coudé DIN 175301-803, Form A pour section de conducteur jusqu'à un maximum de 1,5 mm², diamètre extérieur du conducteur de 6 à 8 mm IP65</p>		
<p>Connecteur M 12x1, IP67</p>		
<p>Sortie câble avec 1,5 m longueur, section de conducteur jusqu'à un maximum de 0,5 mm², AWG 20 avec des embouts, diamètre exté- rieur du conducteur de 6,8 mm; Gaine de câble: gris IP67</p>		

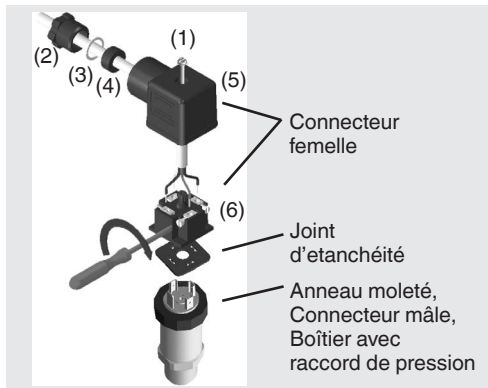
Montage de Connecteur coudé DIN EN 175301-803



1. Desserrez la vis (1).
2. Desserrez le presse-étoupe (2).
3. Retirez le connecteur femelle (5) de l'appareil y compris le porte-contact (6).
4. A l'aide d'un tournevis introduit dans la fente (D), dégagez le porte-contact du boîtier du connecteur.

N'essayez pas de dégager le porte-contact (6) en introduisant le tournevis dans le trou de la vis (1) ou dans le presse-étoupe (2), vous endommageriez les joints du boîtier.

5. Choisissez le diamètre du câble par rapport au presse-étoupe du boîtier. Introduisez le câble dans le presse-étoupe (2), l'anneau (3), le joint (4) et le boîtier (5).
6. Branchez les conducteurs conformément au plan de câblage sur les bornes de branchement du porte-contact (6).
7. Pressez le porte-contact (6) dans le boîtier (5).
8. Vissez le presse-étoupe (2) avec le câble. Afin de garantir le degré de protection, veillez à ce que les joints ne soient pas endommagés et que ceux-ci et le presse-étoupe soient correctement positionnés.
9. Enfilez le joint carré plat sur les contacts du boîtier.
10. Connectez le porte-contact (6) sur l'embase mâle du boîtier.
11. A l'aide de la vis (1), vissez le boîtier (5) avec le porte-contact (6) sur l'appareil.



Données techniques Type SL-1

Etendue de mesure	mbar	25	40	60
Limites de surcharge	mbar	500	500	500
Pression de destruction	mbar	1000	1000	1000
		Pression relative		
Matériaux				
■ Parties en contact avec le fluide		Acier inox, silicium, aluminium, or, silicone		
■ Boîtier		Acier inox		
Alimentation UB		DC 10 ... 30 V (DC 14 ... 30 V avec signal de sortie 0 ... 10 V)		
Signal d. sortie et charge ohmique max autorisée RA	RA en Ohm	4 ... 20 mA, 2-fils	RA ≤ (UB – 10 V) / 0,02 A	
		{0 ... 5 V, 3-fils}	RA > 5.000	
		{0 ... 10 V, 3-fils}	RA > 10.000	
		{Autres signaux de sortie sur demande}		
Réglage: point zero, gain	%	± 5 par potentiomètres dans l'instrument		
Tension d'isolement		DC 500 V		
Précision **)	% du gain	≤ 0,5		
		**) Inclusif non-linéarité, hystérésis, zéro et déviation de l'étendue de mesure (correspond à l'erreur de mesure selon IEC 61298-2). Calibré en position verticale, raccord de pression vers le bas.		
Non-linéarité	% du gain	≤ 0,2 (BFSL) selon IEC 61298-2		
Non-répétabilité	% du gain	≤ 0,1		
Stabilité sur un an	% du gain	≤ 0,3 (pour les conditions de référence)		
Température autorisée				
Du fluide	°C	-30 ... +80		
De l'environnement	°C	-20 ... +80		
De stockage	°C	-40 ... +100		
Plage de température nominale	°C	0 ... +80		

Données techniques Type SL-1

Coefficient de température sur plage nominale

■ Coef. de temp. moy. du point 0	% du gain	25 mbar: 0,5 / 10 K	40 mbar: 0,4 / 10 K	60 mbar: 0,3 / 10 K
■ Coef. de temp. moy.	% du gain	≤ 0,3 / 10 K		

Conformité CE		<ul style="list-style-type: none"> ■ Directive CEM ¹⁾ EN 61326 émission (groupe 1, classe B) et immunité (application industrielle) ■ Directive RoHS
Protection électrique		La protection court-circuits et fausse polarité se trouve dans l'appareil
<ul style="list-style-type: none"> ■ Resistencia a cortocircuitos ■ Protección contra polaridad inversa 		Sig+ con 0V/Sig- U+ con 0V/Sig-
Poids	kg	Environ 0,3

{ } Les données entre accolades précisent les options disponibles contre supplément de prix.

1) La présence de forts champs électromagnétiques dans une plage de fréquence < 2,7 GHz peut entraîner une augmentation des écarts de mesure allant jusqu'à 1 %. Ne pas installer d'instruments au voisinage d'émetteurs de fortes interférences électromagnétiques (ex : dispositifs de transmission, dispositifs radio), ou utiliser si possible des câbles isolés ou blindés.

Déclarations de conformité disponibles sur www.wika.fr.



Veillez prendre en considération lors de la conception de votre installation, que les valeurs indiquées (par exemple pression d'éclatement, limite de surcharge) dépendent de la matière utilisée, du filetage et du joint utilisé.

Vérification du fonctionnement

Le signal de sortie doit se comporter proportionnellement à la pression présente. Si ce n'est pas le cas, ceci peut être une indication que la membrane est endommagée. Dans ce cas veuillez lire "élimination de perturbations" dans le chapitre 10.

**Avertissement**

- N'ouvrez les raccords que hors pression!
- Prenez en considération les paramètres de service selon le chapitre 7 "Caractéristiques techniques".
- N'utilisez le transmetteur de pression qu'à l'intérieur de la zone limite de surcharge!

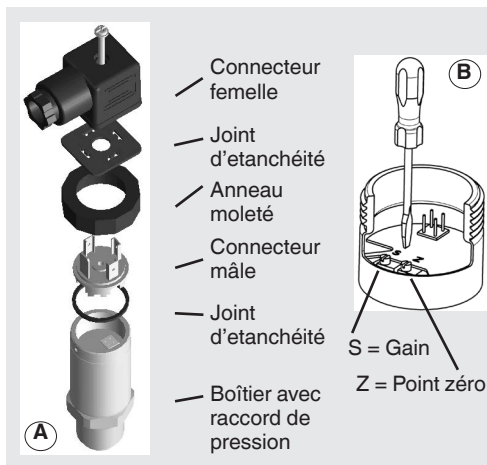


Considérez que quand vous touchez le transmetteur de pression en fonctionnement, la surface des composants des appareils peut être brûlante.

8. Réglage du zéro / gain (uniquement pour appareils à anneau moleté)


(i) Nous vous recommandons de ne pas dérégler le potentiomètre de gain. Il sert au réglage d'usine et ne devrait être réajusté de votre part que si vous disposez d'un équipement de calibration suffisant (au minimum 3x plus précis que la précision donnée).

- Veillez lors du montage et démontage du connecteur à ce qu'aucun fil ne soit arraché ou pincé.
- Débranchez le connecteur femelle. Ouvrez l'appareil de mesure de pression (voir image **(A)**) en dévissant l'anneau moleté. Retirez le connecteur mâle du boîtier avec précaution.
- Réglez le zéro (Z) (voir image **(B)**) en appliquant la valeur de pression de départ.
- Réglez le gain (S) en appliquant la valeur de pression finale.
- Contrôlez le zéro.
- Au cas où le zéro n'est pas correct, répéter la procédure.
- Refermez soigneusement l'appareil de mesure de pression. Faites attention à ce que les joints ne soient pas endommagés et à leur position correcte afin d'assurer l'indice de protection.



Il est recommandé de procéder à un réétalonnage tous les ans.

9. Entretien

-  ■ Les transmetteurs WIKA ne demandent aucune maintenance.
- Ne faites effectuer les réparations que par le fabricant.

10. Elimination de perturbations



N'ouvrez les raccords que hors pression!

Avertissement



Avertissement

- Prenez des mesures de sécurité pour les restes de fluides se trouvant dans les transmetteurs de pression démontés. Ces restes de fluides peuvent mettre en danger les personnes, l'environnement ainsi que l'installation !
- Si vous ne pouvez pas éliminer des dérangements sur le transmetteur de pression, mettez celui-ci hors service et protégez le contre une remise en service par inadvertance.
- Ne faites effectuer les réparations que par le fabricant.



- N'utilisez aucun objet pointu ou dur pour le nettoyage, car la membrane du raccord pression ne doit en aucun cas être endommagée.
- Ne nettoyez pas le canal de pression à l'aide de liquides ou d'air comprimé.

Veuillez contrôler au préalable si la pression est présente (vannes / robinets à boisseau sphérique, etc. ouvert) et si vous avez choisi la tension d'alimentation correcte et le système de câblage correspondant (2 fils / 3 fils).

Perturbations	Cause	Mesures à prendre
Pas de signal de sortie	Tension d'alimentation manquante / fausse ou pointe de surtension	Corriger la tension d'alimentation selon le mode d'emploi *)
	Rupture de conducteur	Contrôler le passage du courant
Pas de / ou faux signal de sortie	Erreur de câblage (par ex. système à deux fils connecté en système à trois fils)	Respecter la position des raccords (voir plaquette signalétique / mode d'emploi)
Signal de sortie divergent	Lors du réglage déréglé le gain	Utiliser une référence appropriée
	Déréglage du zéro	Utiliser un équipement de calibration adéquat (au moins 3x plus précis que la précision indiquée)
Lors d'une variation de pression le signal de sortie reste constant	Surcharge mécanique par pression excessive	Remplacer l'appareil; en cas de panne répétitive consulter le fabricant *)
	Fausse tension d'alimentation ou pointe de surtension	Remplacer l'appareil
Gain du signal trop faible	Tension d'alimentation trop élevée / trop basse	Corriger la tension d'alimentation selon le mode d'emploi
Gain du signal tombe	Humidité s'est insinuée (par ex. à l'extrémité du câble)	Monter le câble correctement
Gain du signal fluctuant	Source de compatibilité électromagnétique aux environs, par ex. convertisseur de fréquence	Blinder l'appareil; blinder les conducteurs; éliminer la source de parasites
	Appareil non mis à la terre	Mettre l'appareil à la terre

En cas de réclamation non justifiée, nous mettrons en facture les coûts de traitement de celle-ci.

*) Contrôlez après le réglage le fonctionnement correct du système. Au cas où l'erreur persiste, renvoyez l'appareil pour réparation (ou remplacez l'appareil).

Si un problème reste présent, veuillez prendre contact avec notre département commercial.

Certificat de matière de processus (déclaration de contamination en cas de réparation)

Veillez laver ou nettoyer les appareils démontés avant de les renvoyer afin de protéger nos employés et l'environnement des risques présentés par les résidus de fluide adhérents. Un contrôle des appareils en panne ne peut être effectué de façon sûre que si la déclaration de contamination est complète. Cette déclaration comporte toutes les matières ayant été en contact avec l'appareil, également celles ayant été utilisées lors d'essais, en service ou lors du nettoyage. La "Product Return Form" peut être téléchargée de notre adresse Internet (www.wika.de / www.wika.com)

11. Stockage, mise au rebut



Avertissement

Veillez prendre les précautions de sécurité pour la mise au rebut et pour le stockage des fluides se trouvant dans les transmetteurs de pression démontés. Nous recommandons un nettoyage approprié et méticuleux. Ces restes de fluides peuvent mettre en danger les personnes, l'environnement ainsi que l'installation!

Mise au rebut



Mettez les composants des appareils et les emballages au rebut en respectant les prescriptions nationales pour le traitement et la mise au rebut des régions de livraison.

WIKA se réserve le droit de modifier les présentes spécifications.



Ne pas mettre au rebut avec les ordures ménagères. Assurer une mise au rebut correcte en conformité avec les réglementations nationales.







WIKAI Alexander Wiegand SE & Co. KG

Alexander-Wiegand-Strasse 30

63911 Klingenberg • Germany

Tel. +49 9372 132-0

Fax +49 9372 132-406

info@wika.de

www.wika.de